

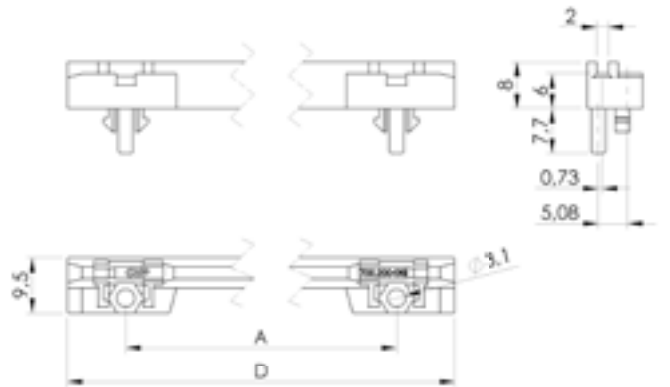
## Board guides rail - Reinforced - Polarizers



Board guides rail

Material:  
Polycarbonate UL 94 V-0  
(colour blue)

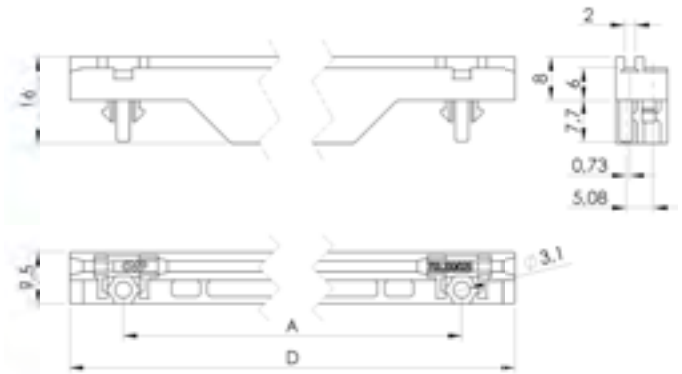
Depth	A	D	P/N
80	45	65	700.200/019A
160	120	140	700.200/015A
220	180	200	700.200/016A



Reinforced board guides rail

Material:  
Polycarbonate UL 94 V-0  
(colour blue)

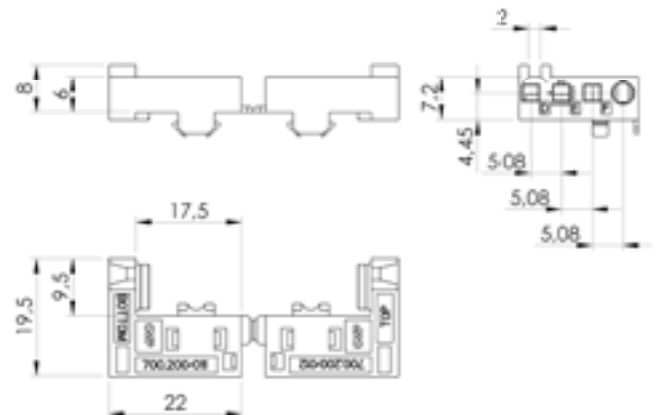
Depth	A	D	P/N
160	120	140	700.200/025A
220	180	200	700.200/026A



Polarizers (pair)

**P/N:** 700.200/013A

Material:  
Polycarbonate UL 94 V-0  
(colour blue)



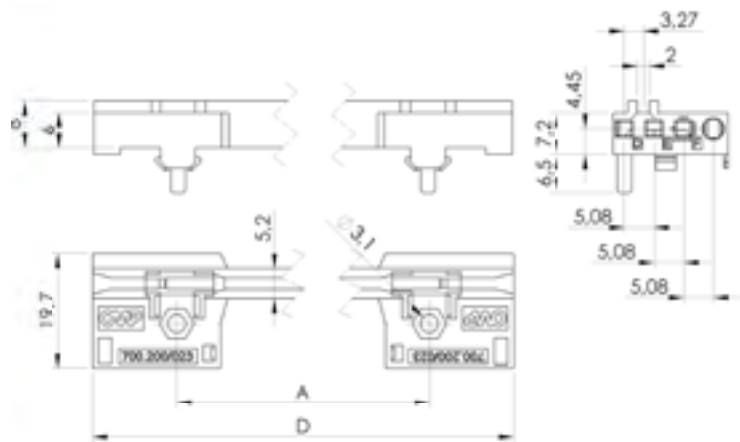
## Board guides rail with offset 2,54 for power supply units – End coupling



CPCI Board guides rail with offset 2,54 for power supply units

Material:  
Polycarbonate UL 94 V-0  
(colour green)

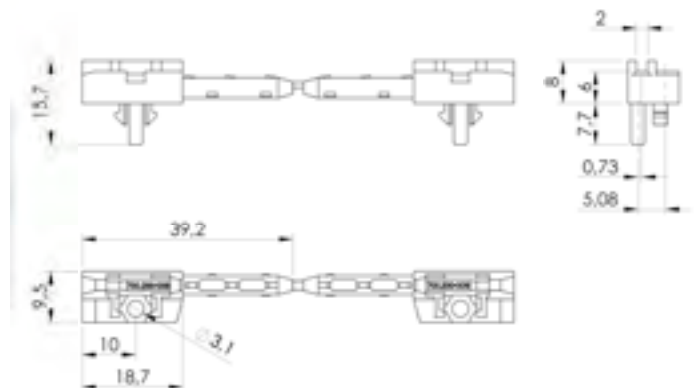
Depth	A	D	P/N
160	120	149	700.200/023
220	180	209	700.200/024



End coupling (pair)

**P/N:** 700.200/010A

Material:  
Polycarbonate UL 94 V-0  
(colour blue)



Al extension profile for end coupling

Material:  
Aluminium extrusion

Finish:  
Anodised, natural

Depth	A	P/N
/	1000	510.025/001
160	102,6	202.070/102
220	162,6	202.070/162
280	222,6	202.070/222

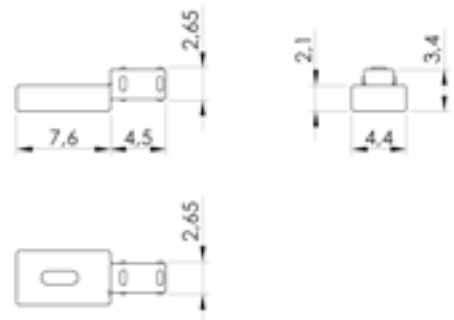


## Coding keys – Board holder



### Coding keys

Material:  
Polycarbonate UL 94 V-0  
(colour, grey)

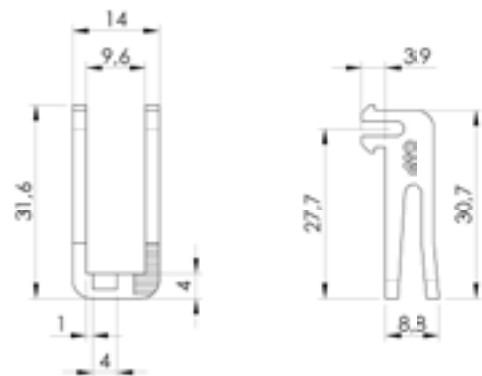


**P/N:** 700.200/014



### Left board holder

Material:  
Lexan UL 94 V-0  
(colour, blue)

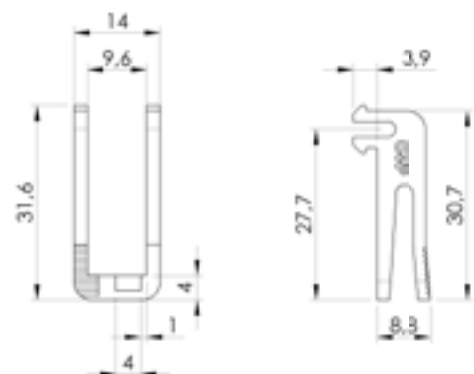


**P/N:** 700.200/027 00



### Right board holder

Material:  
Lexan UL 94 V-0  
(colour, blue)



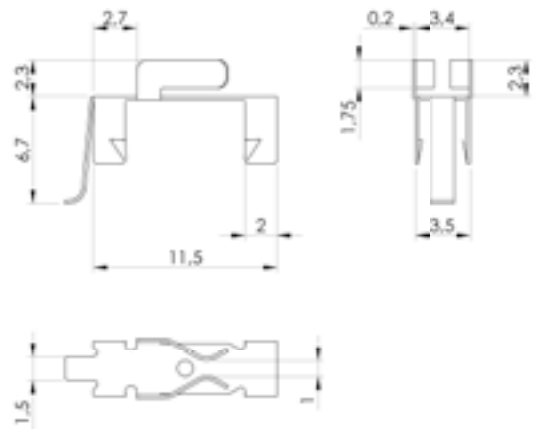
**P/N:** 700.200/028 00

## ESD clips



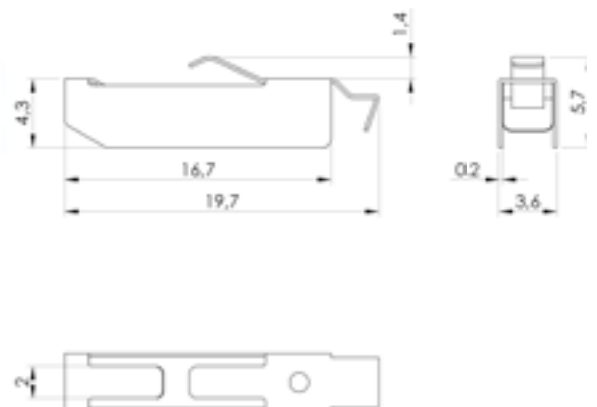
ESD clip  
Material:  
Stainless steel

P/N: 180.000/008



ESD clip, alignment for  
polarizer  
Material:  
Stainless steel

P/N: 180.000/009



## Board guide rail Accessories



M3X12 thread forming screw with reduced crosshead for board guide mechanical fixing with crosspiece

Material:  
Stainless steel



**P/N:** 200.002/061



Ph. cross recessed pan head screw M2,5X12 for mechanical fixing of the board guide with crosspiece

Material:  
Stainless steel



**P/N:** 401.142



Helical spring lock washer M2,5 DIN127B

Material:  
Stainless steel

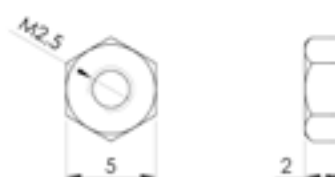


**P/N:** 422.101



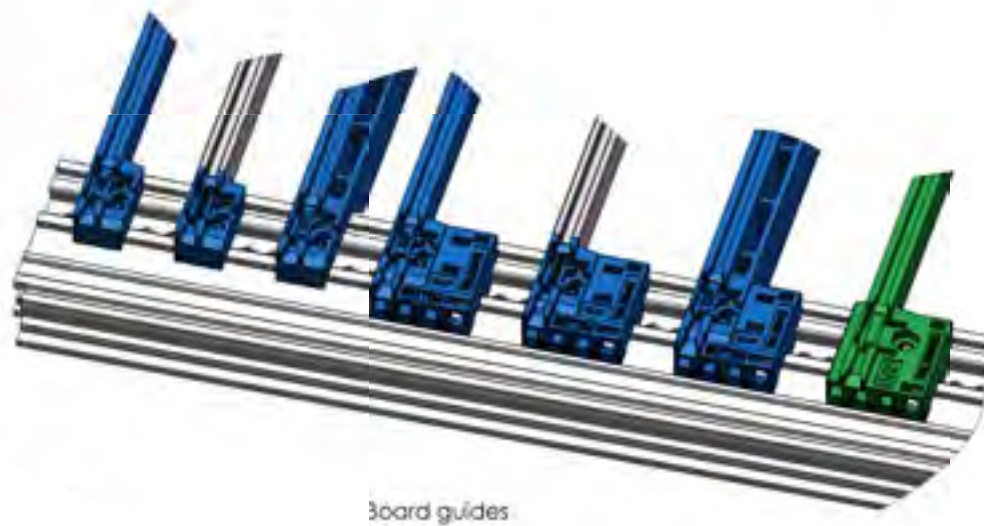
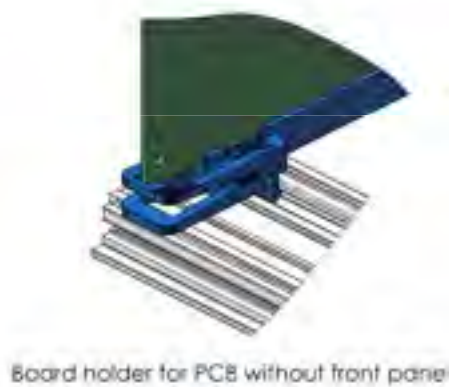
Hexagonal nut M2,5 DIN934

Material:  
Stainless steel



**P/N:** 411.101

## ▶ Examples of mounting





Bernini,1 8 Street - 20865 - Usmate Velate (MB) Italy  
ph. +39 039 618231 fax +39 039 6013208

Vat.n. IT 02384250961 - Tax code 01696370137  
REA MI 1255795 - Share Capital 2.000.000 FP

[info@ompmechtron.com](mailto:info@ompmechtron.com)  
[www.ompmechtron.com](http://www.ompmechtron.com)