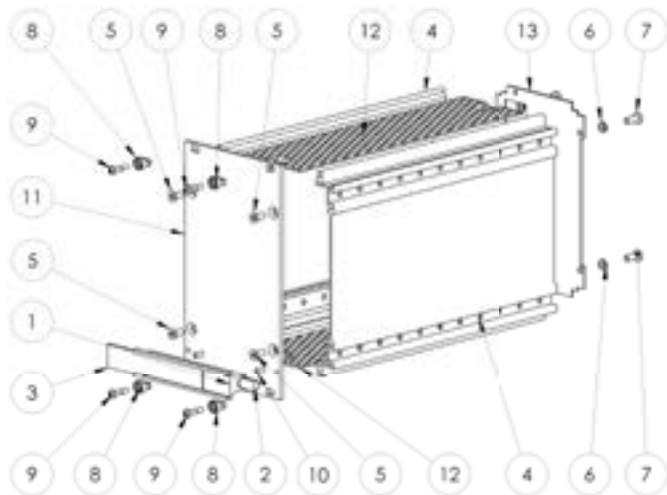
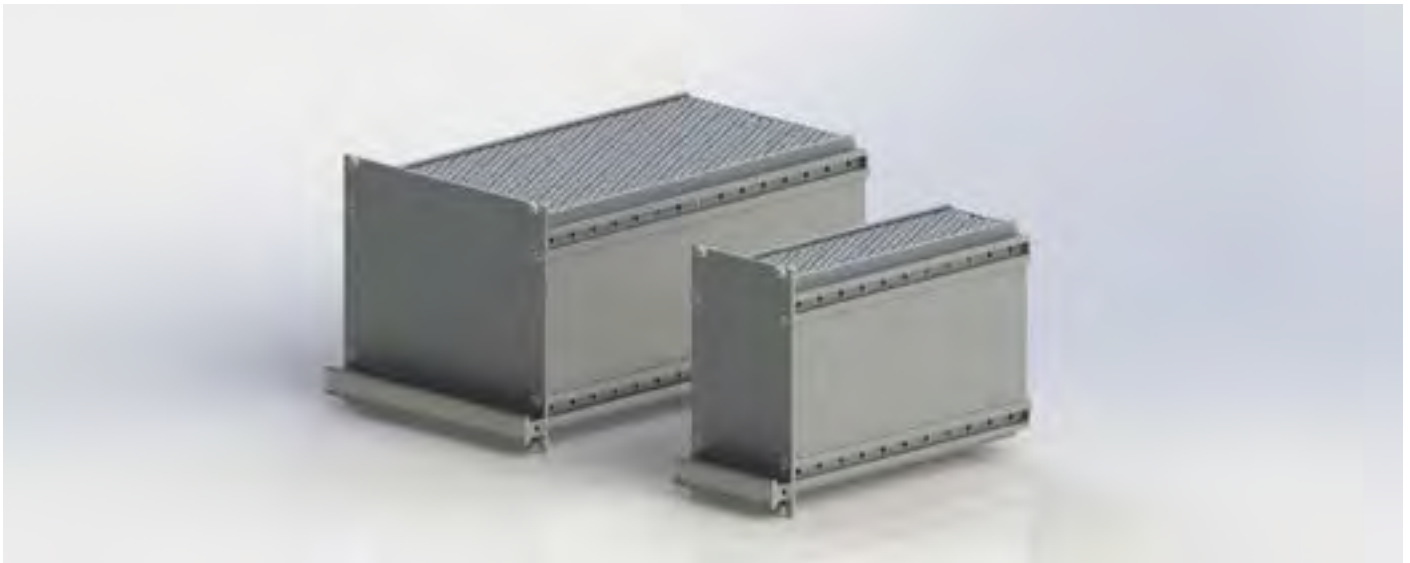
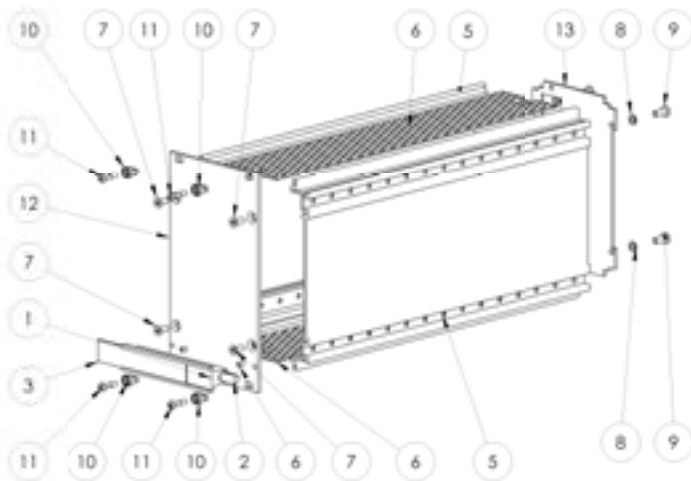


3U 14/28TE Trays



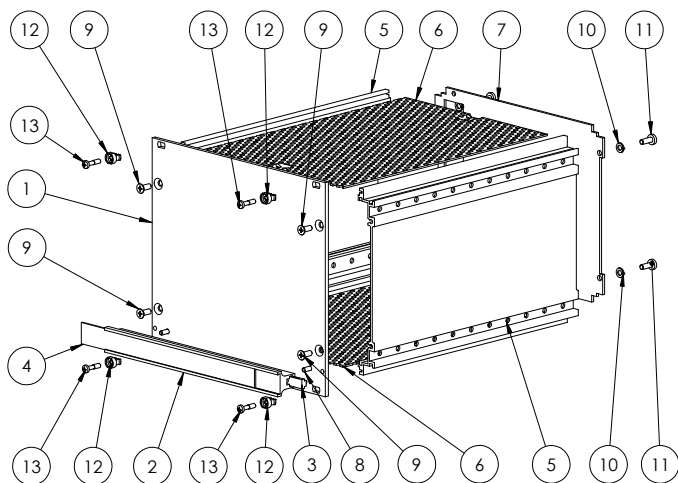
3U 14TE Deep 160			
Pos.	P/N	Description	Q.ty
1	103.600/300 00	Front panel 3U 14TE "OD series"	1
2	227.014	Handle 14TE	1
3	730.000	Handle block	2
4	141.114	Plate	1
5	230.041C	3U Side panel Deep 160	2
6	100.273C	Top / Bottom cover Deep 160	2
7	100.200C	3U 14TE Rear panel	1
8	401.011	Countersunk screw M2,5x8	2
9	402.031	Countersunk screw M3x8	4
10	422.002	Helical spring lock washer 3,2	4
11	402.011	PH pan head screw M3x8	4
12	700.200/005 01	Bush for front panel	4
13	409.038	Unloosable screw M2,5x11	4

P/N: 025.510/003 00



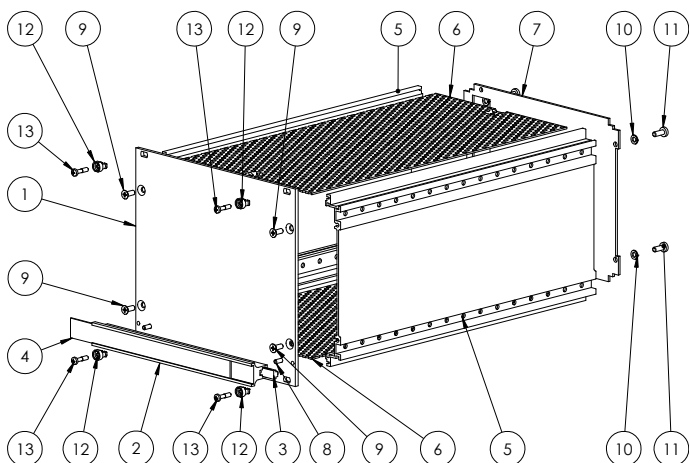
3U 14TE Deep 220			
Pos.	P/N	Description	Q.ty
1	103.600/300 00	Front panel 3U 14TE "OD series"	1
2	227.014	Handle 14TE	1
3	730.000	Handle block	2
4	141.114	Plate	1
5	230.042C	3U Side panel Deep 220	2
6	100.283C	Top / Bottom cover Deep 220	2
7	100.200C	3U 14TE Rear panel	1
8	401.011	Countersunk screw M2,5x8	2
9	402.031	Countersunk screw M3x8	4
10	422.002	Helical spring lock washer 3,2	4
11	402.011	PH pan head screw M3x8	4
12	700.200/005 01	Bush for front panel	4
13	409.038	Unloosable screw M2,5x11	4

P/N: 025.510/004 00



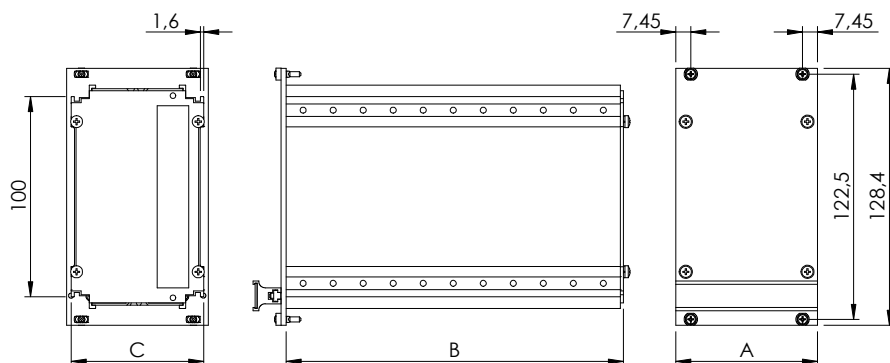
3U 28TE Deep 160			
Pos.	P/N	Description	Q.ty
1	103.600/301 00	Front panel 3U 28TE "OD series"	1
2	227.028	Handle 28TE	1
3	730.000	Handle block	2
4	141.128	Plate	1
5	230.041C	3U Side panel Deep 160	2
6	100.277C	Top / Bottom cover Deep 160	2
7	100.204C	3U 28TE Rear panel	1
8	401.011	Countersunk screw M2,5x8	2
9	402.031	Countersunk screw M3x8	4
10	422.002	Helical spring lock washer 3,2	4
11	402.011	PH pan head screw M3x8	4
12	700.200/005 01	Bush for front panel	4
13	409.038	Unloosable screw M2,5x11	4

P/N: 025.510/005 00



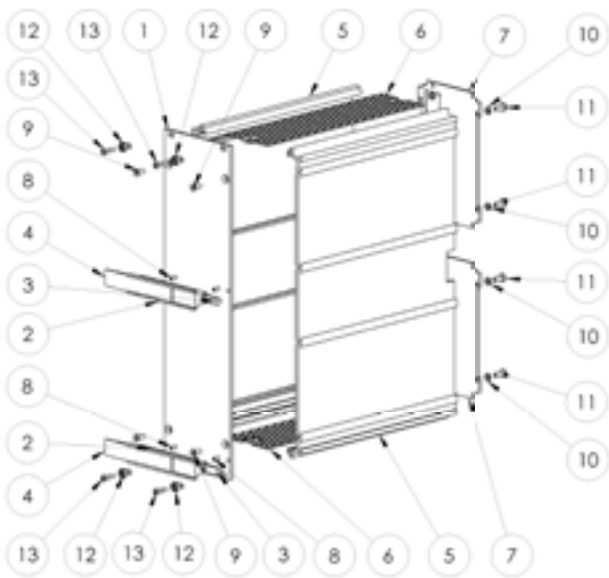
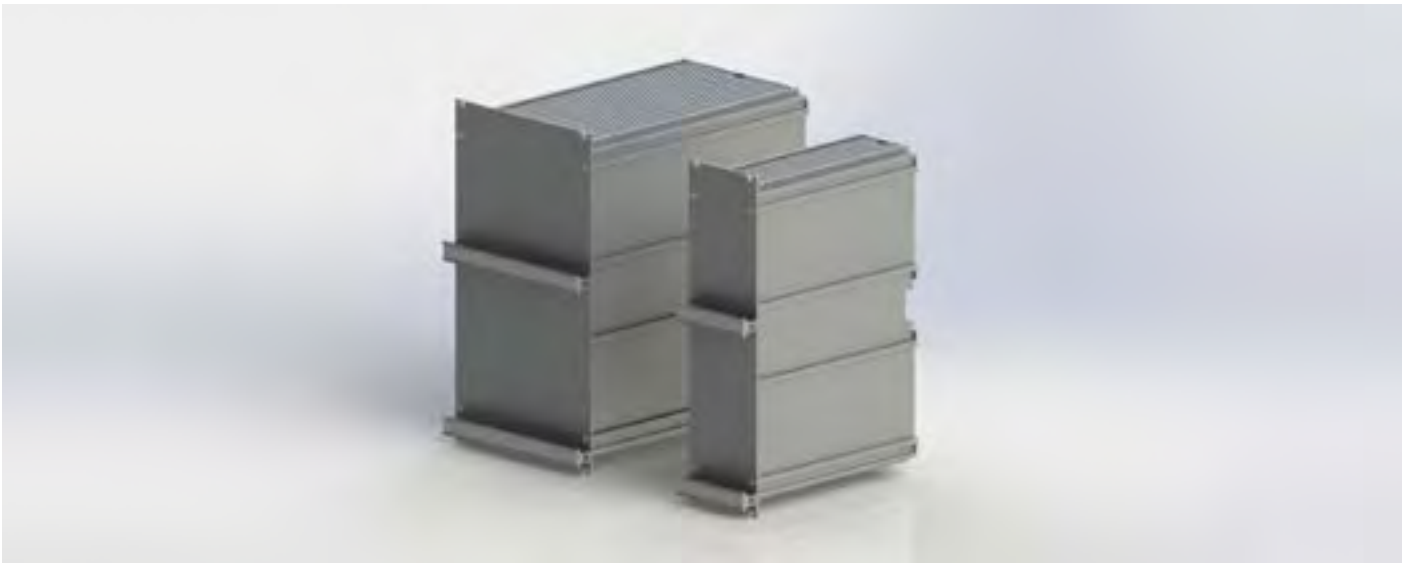
3U 28TE Deep 220			
Pos.	P/N	Description	Q.ty
1	103.600/301 00	Front panel 3U 28TE "OD series"	1
2	227.028	Handle 28TE	1
3	730.000	Handle block	2
4	141.128	Plate	1
5	230.042C	3U Side panel Deep 220	2
6	100.287C	Top / Bottom cover Deep 220	2
7	100.204C	3U 28TE Rear panel	1
8	401.011	Countersunk screw M2,5x8	2
9	402.031	Countersunk screw M3x8	4
10	422.002	Helical spring lock washer 3,2	4
11	402.011	PH pan head screw M3x8	4
12	700.200/005 01	Bush for front panel	4
13	409.038	Unloosable screw M2,5x11	4

P/N: 025.510/006 00



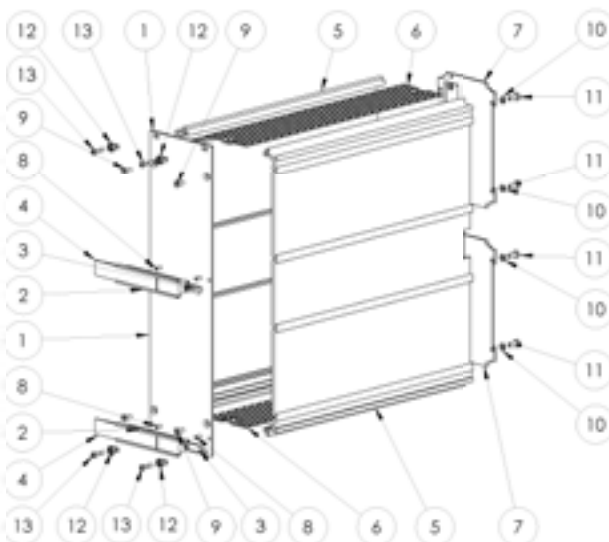
Dimensions 3U				
TE	Deep	A	B	C
14	160	70,78	168,5	66,2
14	220	70,78	228,5	66,2
28	160	141,8	168,5	137,2
28	220	141,8	228,5	137,2

6U 14/28TE Trays



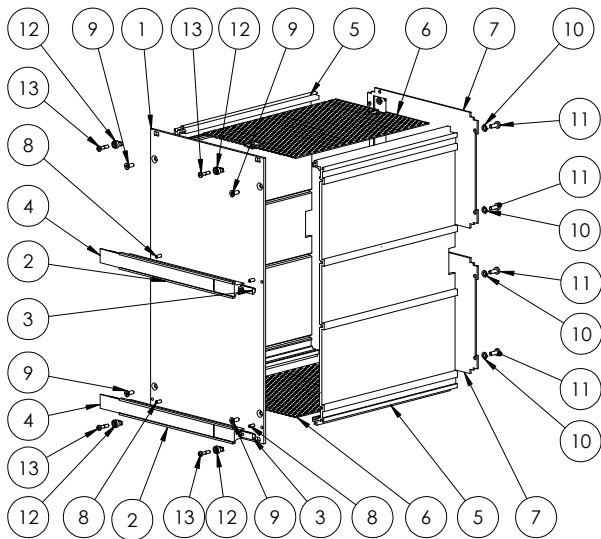
6U 14TE Deep 160			
Pos.	P/N	Description	Q.ty
1	103.600/302 00	Front panel 6U 14TE "OD series"	1
2	227.014	Handle 14TE	2
3	730.000	Handle block	4
4	141.114	Plate	2
5	230.909C	6U Side panel Deep 160	2
6	100.273C	Top / Bottom cover Deep 160	2
7	100.200C	3U 14TE Rear panel	2
8	401.011	Countersunk screw M2,5x8	4
9	402.031	Countersunk screw M3x8	4
10	422.002	Helical spring lock washer 3,2	8
11	402.011	PH pan head screw M3x8	8
12	700.200/005 01	Bush for front panel	4
13	409.038	Unloosable screw M2,5x11	4

P/N: 025.510/010 00



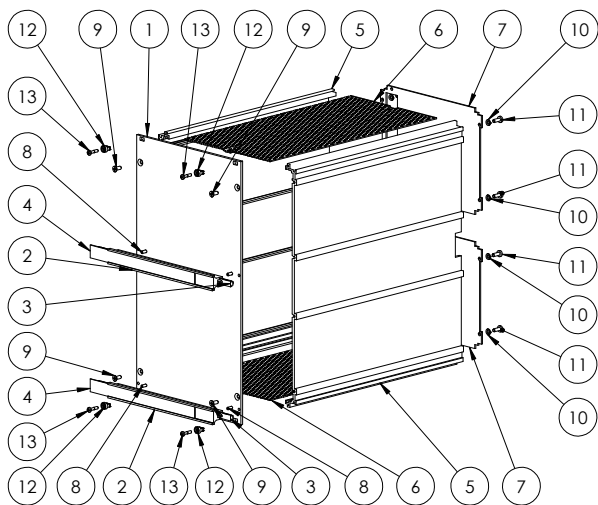
6U 14TE Deep 220			
Pos.	P/N	Description	Q.ty
1	103.600/302 00	Front panel 6U 14TE "OD series"	1
2	227.014	Handle 14TE	2
3	730.000	Handle block	4
4	141.114	Plate	2
5	230.900C	6U Side panel Deep 220	2
6	100.283C	Top / Bottom cover Deep 220	2
7	100.200C	3U 14TE Rear panel	2
8	401.011	Countersunk screw M2,5x8	4
9	402.031	Countersunk screw M3x8	4
10	422.002	Helical spring lock washer 3,2	8
11	402.011	PH pan head screw M3x8	8
12	700.200/005 01	Bush for front panel	4
13	409.038	Unloosable screw M2,5x11	4

P/N: 025.510/011 00



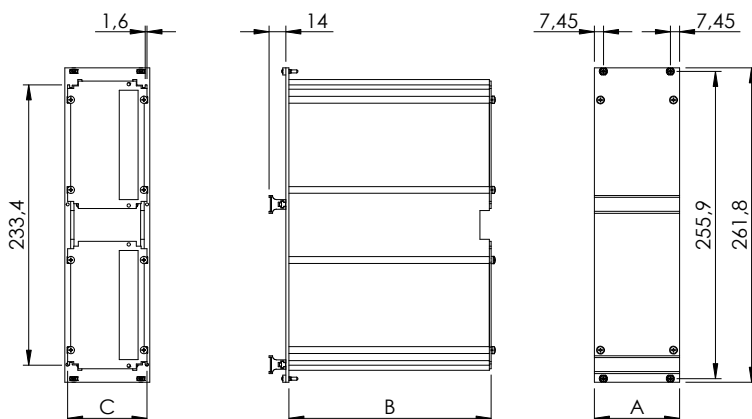
6U 28TE Deep 160			
Pos.	P/N	Description	Q.ty
1	103.600/303 00	Front panel 6U 28TE "OD series"	1
2	227.028	Handle 28TE	2
3	730.000	Handle block	4
4	141.128	Plate	2
5	230.909C	6U Side panel Deep 160	2
6	100.277C	Top / Bottom cover Deep 160	2
7	100.204C	3U 28TE Rear panel	2
8	401.011	Countersunk screw M2,5x8	4
9	402.031	Countersunk screw M3x8	4
10	422.002	Helical spring lock washer 3,2	8
11	402.011	PH pan head screw M3x8	8
12	700.200/005 01	Bush for front panel	4
13	409.038	Unloosable screw M2,5x11	4

P/N: 025.510/012 00



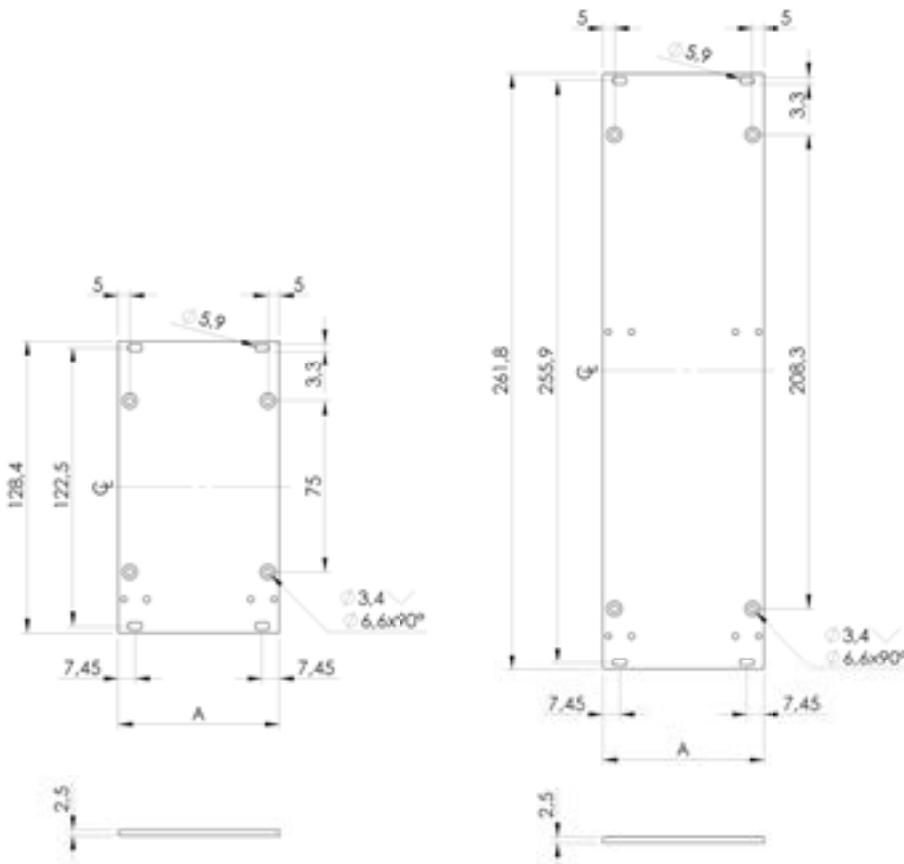
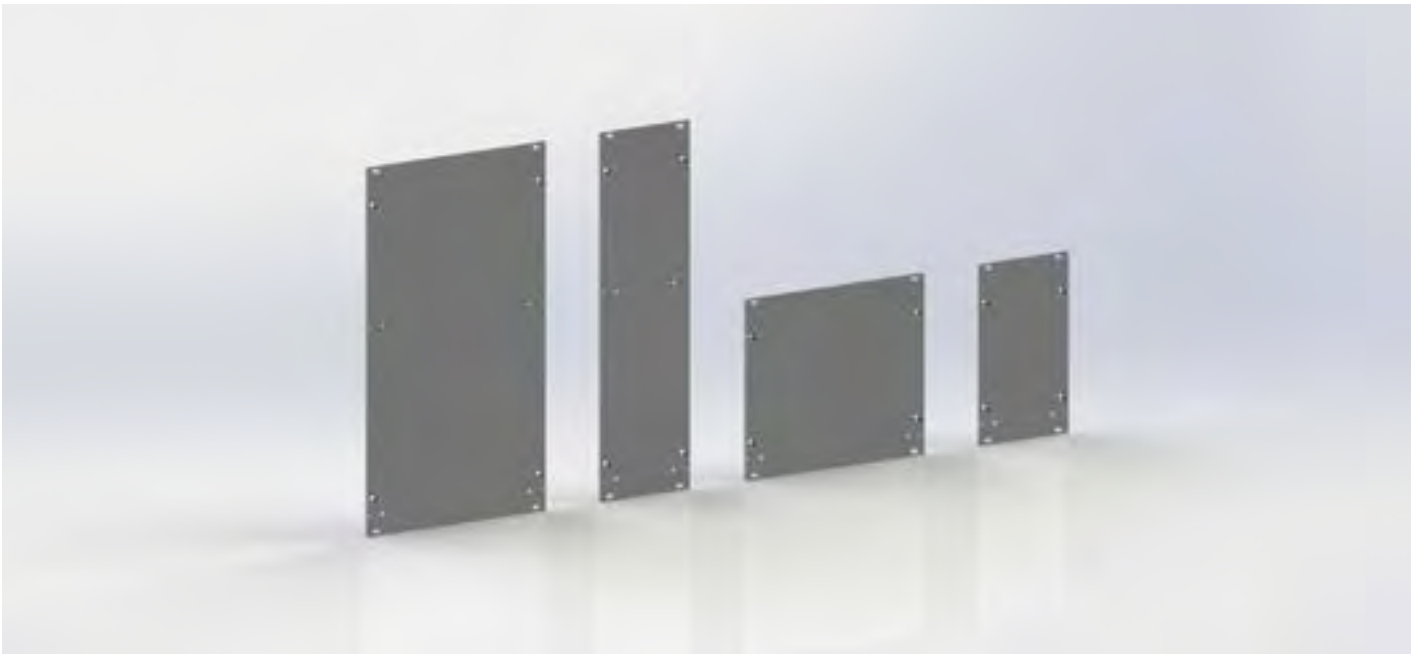
6U 28TE Deep 220			
Pos.	P/N	Description	Q.ty
1	103.600/303 00	Front panel 6U 28TE "OD series"	1
2	227.028	Handle 28TE	2
3	730.000	Handle block	4
4	141.128	Plate	2
5	230.900C	6U Side panel Deep 220	2
6	100.287C	Top / Bottom cover Deep 220	2
7	100.204C	3U 28TE Rear panel	2
8	401.011	Countersunk screw M2,5x8	4
9	402.031	Countersunk screw M3x8	4
10	422.002	Helical spring lock washer 3,2	8
11	402.011	PH pan head screw M3x8	8
12	700.200/005 01	Bush for front panel	4
13	409.038	Unloosable screw M2,5x11	4

P/N: 025.510/013 00



Dimensions 6U				
TE	Deep	A	B	C
14	160	70,78	168,5	66,2
14	220	70,78	228,5	66,2
28	160	141,8	168,5	137,2
28	220	141,8	228,5	137,2

3U/6U Trays front panels



3U		
HP	P/N	A
14	103.600/300	70,78
28	103.600/301	141,8

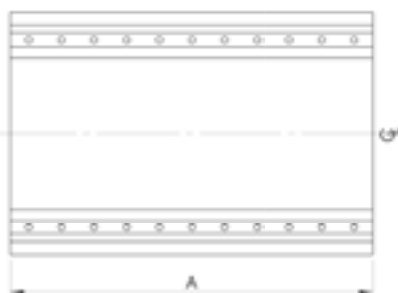
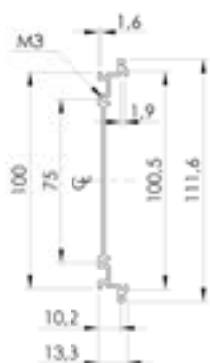
6U		
HP	P/N	A
14	103.600/302	70,78
28	103.600/303	141,8

Material:
Aluminium 2,5 mm

Front side finish:
Anodised

Rear side finish:
Passivated (conductive)

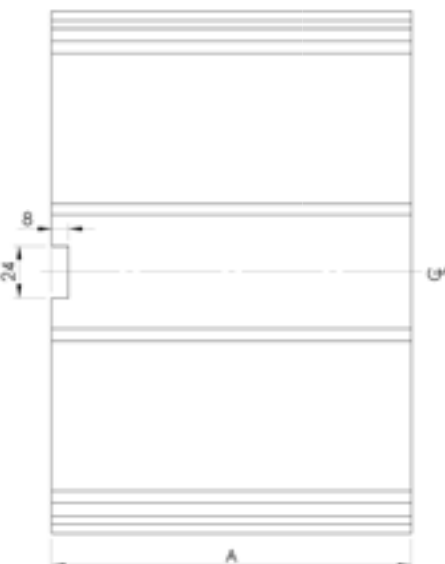
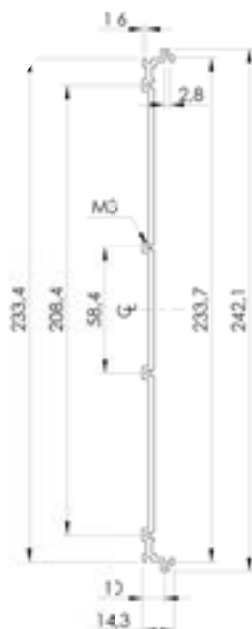
3U/6U Trays side panels extruded



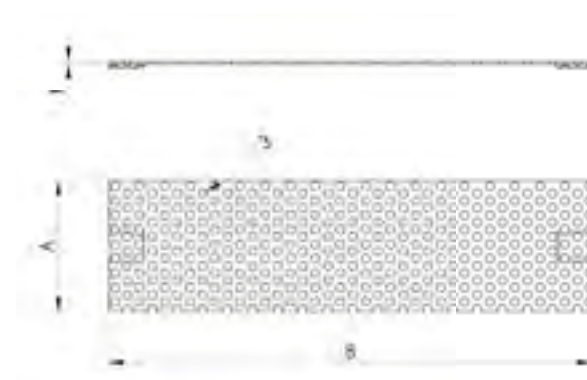
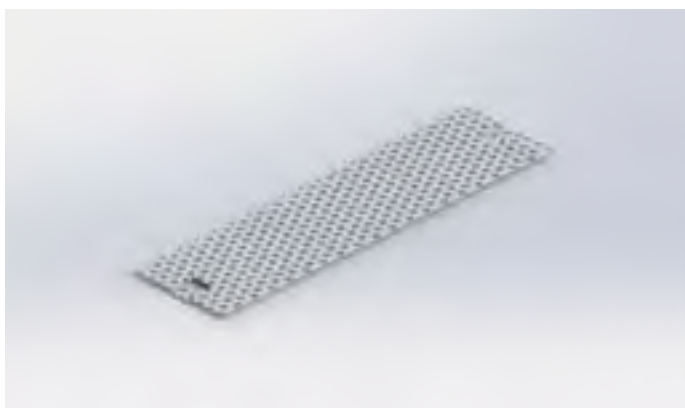
3U		
Depth	P/N	A
160	230.041C	167
220	230.042C	227

6U		
Depth	P/N	A
160	230.909C	167
220	230.900C	227

Material:
Aluminium extrusion
Finish:
Passivated (conductive)



Trays top/bottom covers and rear panels

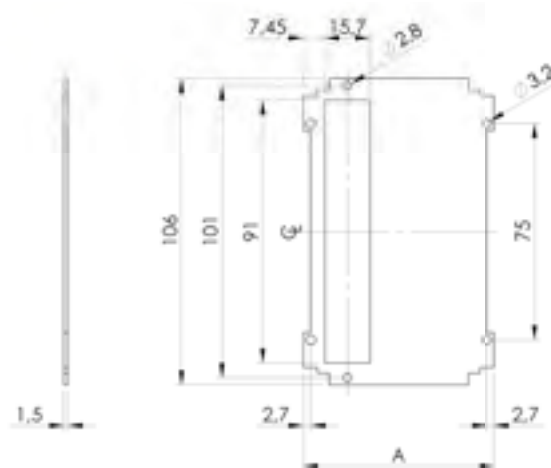


Top / Bottom covers

Material:
Aluminium

Finish:
Passivated (conductive)

TE	Deep	P/N	A	B
14	160	100.273C	45,4	167
14	220	100.283C	45,4	226,5
28	160	100.277C	116,4	167
28	220	100.287C	116,4	226,5



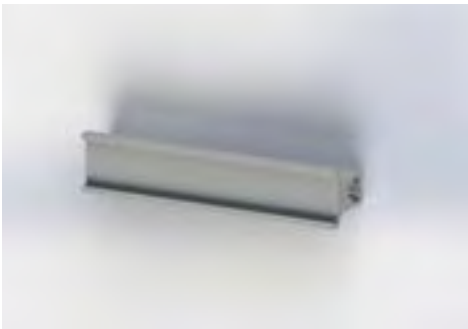
Rear covers

Material:
Aluminium

Finish:
Passivated (conductive)

TE	P/N	A
14	100.200C	66,2
28	100.204C	137,3

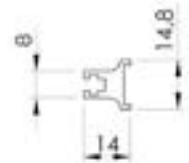
Trays handle and accessories



Handle

Material:
Aluminium extrusion

Finish:
Anodised



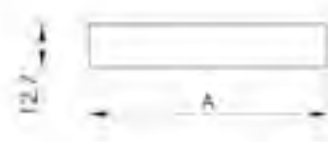
TE	P/N	A
14	227.014	70,78
28	227.028	141,8



Plate

Material:
Aluminium extrusion

Finish:
Anodised

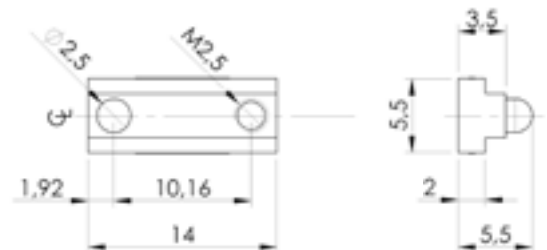


TE	P/N	A
14	141.114	70,78
28	141.128	141,8



Block

Material:
Die-cast



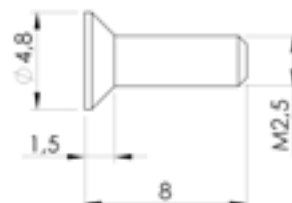
P/N: 730.000



Ph. cross recessed countersunk screw M2,5x8

Material:
steel

Finish:
Zinc plated

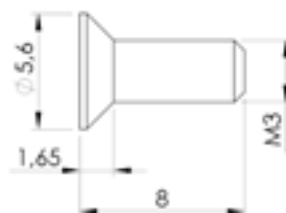


P/N: 401.011

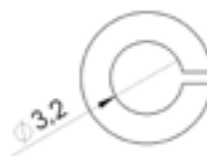
Trays accessories



Ph. cross recessed countersunk screw M3x8

Material:
SteelFinish:
Zinc plated

P/N: 402.031

Helical spring lock washer
M3 DIN127BMaterial:
SteelFinish:
Zinc plated

P/N: 422.002



Ph. cross recessed countersunk screw M3x8

Material:
SteelFinish:
Zinc plated

P/N: 402.011



Bernini,1 8 Street - 20865 - Usmate Velate (MB) Italy
ph. +39 039 618231 fax +39 039 6013208

Vat.n. IT 02384250961 - Tax code 01696370137
REA MI 1255795 - Share Capital 2.000.000 FP

info@ompmechtron.com
www.ompmechtron.com