

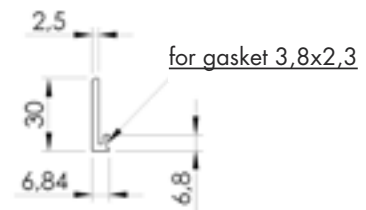
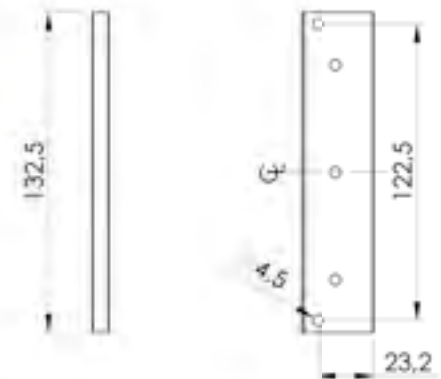
Lateral rims 3U



3U EMI

P/N: 223.501/403 01

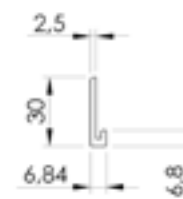
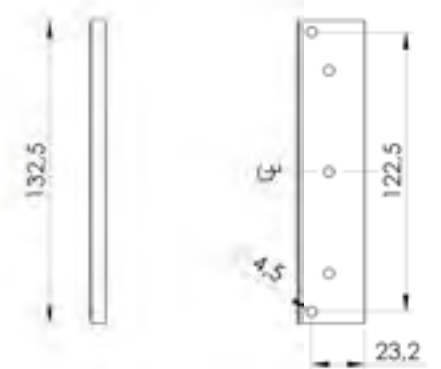
Material:
Aluminium extrusion
Finish:
Passivated (conductive)



3U

P/N: 223.501/103 01

Material:
Aluminium extrusion
Finish:
Passivated (conductive)



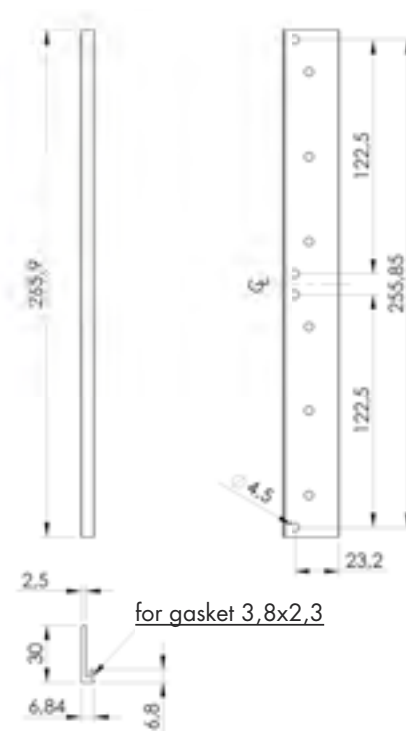
▶ Lateral rims 6U



6U EMI

P/N: 223.501/406 01

Material:
Aluminium extrusion
Finish:
Passivated (conductive)



6U

P/N: 223.501/106 01

Material:
Aluminium extrusion
Finish:
Passivated (conductive)



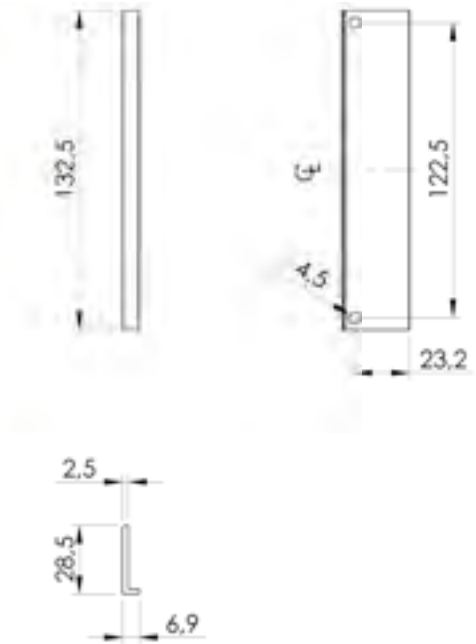
Lateral rims 3U/6U Light



3U

P/N: 223.501/803 01

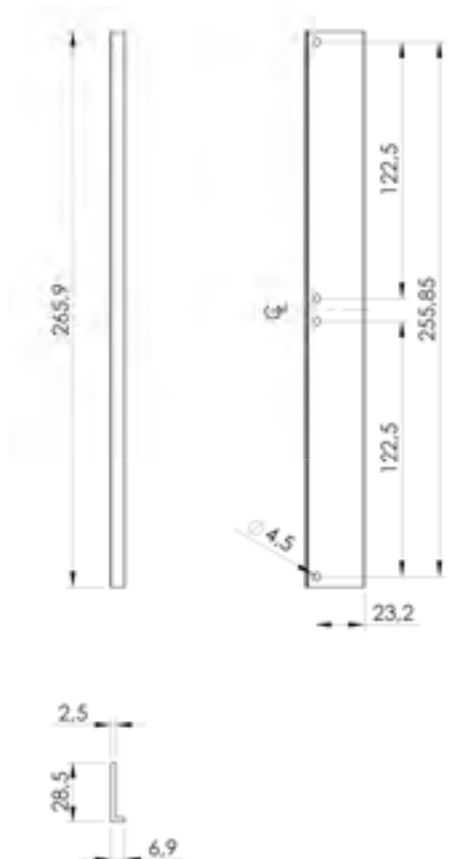
Material:
Aluminium extrusion
Finish:
Passivated (conductive)



6U

P/N: 223.501/806 01

Material:
Aluminium extrusion
Finish:
Passivated (conductive)





Bernini,1 8 Street - 20865 - Usmate Velate (MB) Italy
ph. +39 039 618231 fax +39 039 6013208

Vat.n. IT 02384250961 - Tax code 01696370137
REA MI 1255795 - Share Capital 2.000.000 FP

info@ompmechtron.com
www.ompmechtron.com