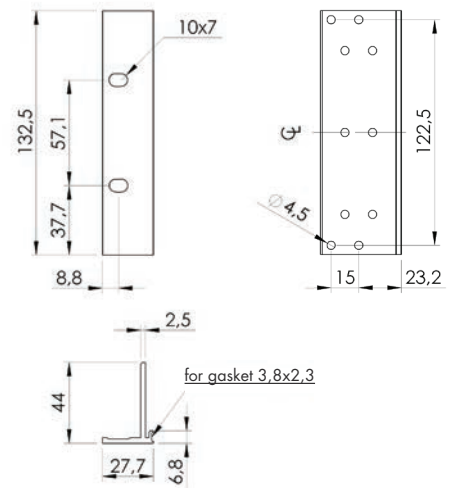


19" Lateral brackets 3U EMI



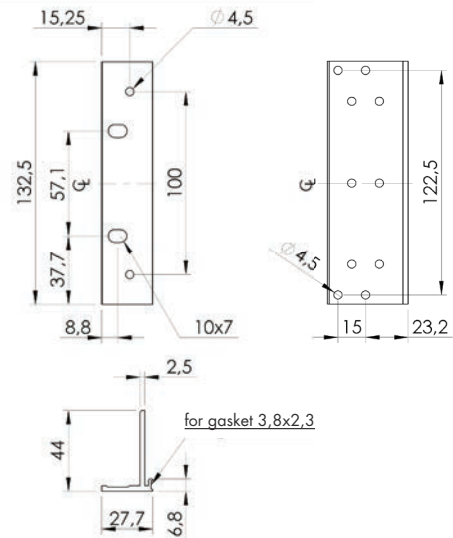
3U EMI
 Material:
 Aluminium extrusion
 Finish:
 Passivated (conductive)



P/N: 223.501/303 01



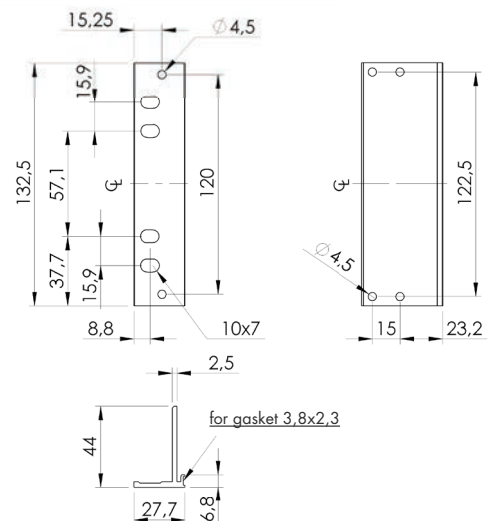
3U EMI with handle holes
 Material:
 Aluminium extrusion
 Finish:
 Passivated (conductive)



P/N: 223.501/503 01



3U EMI railway type
 Material:
 Aluminium extrusion
 Finish:
 Passivated (conductive)



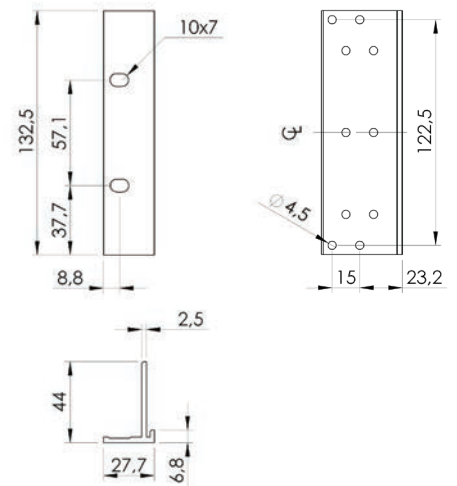
P/N: 223.501/523 00

19" Lateral brackets 3U



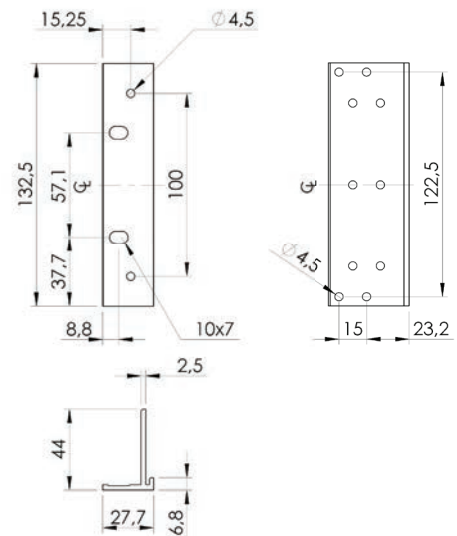
3U
 Material:
 Aluminium extrusion
 Finish:
 Passivated (conductive)

P/N: 223.501/003 01



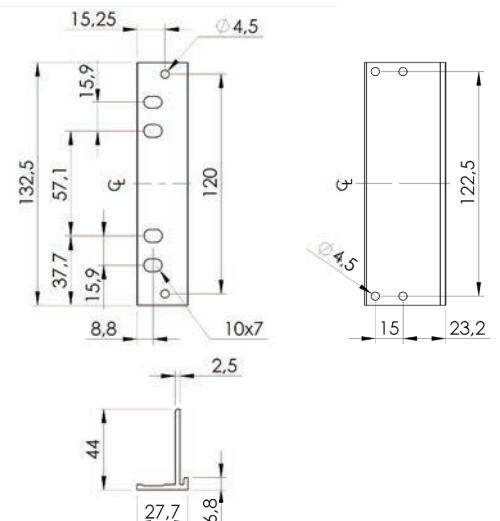
3U with handle holes
 Material:
 Aluminium extrusion
 Finish:
 Passivated (conductive)

P/N: 223.501/203 01



3U railway type
 Material:
 Aluminium extrusion
 Finish:
 Passivated (conductive)

P/N: 223.501/223 00

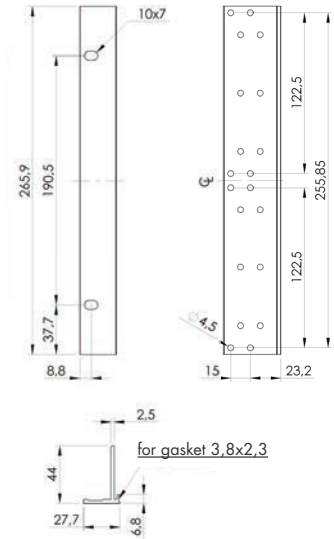


19" Lateral brackets 6U EMI



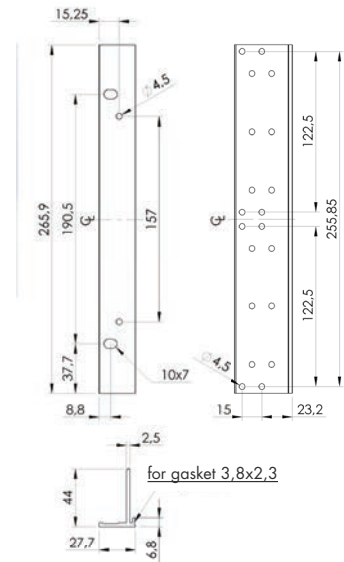
6U EMI
 Material:
 Aluminium extrusion
 Finish:
 Passivated (conductive)

P/N: 223.501/306 01



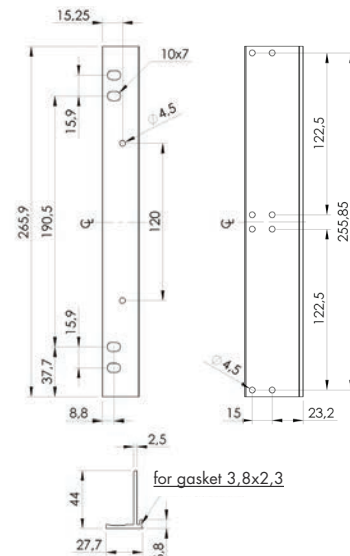
6U EMI with handle holes
 Material:
 Aluminium extrusion
 Finish:
 Passivated (conductive)

P/N: 223.501/506 01



6U EMI railway type
 Material:
 Aluminium extrusion
 Finish:
 Passivated (conductive)

P/N: 223.501/526 00

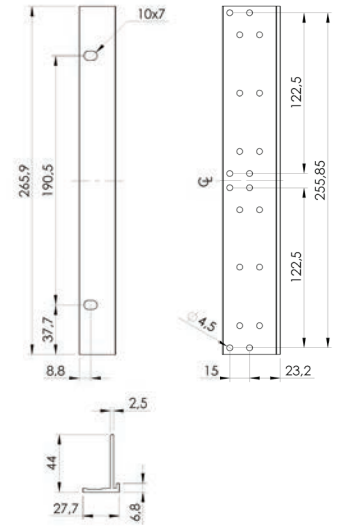


19" Lateral brackets 6U



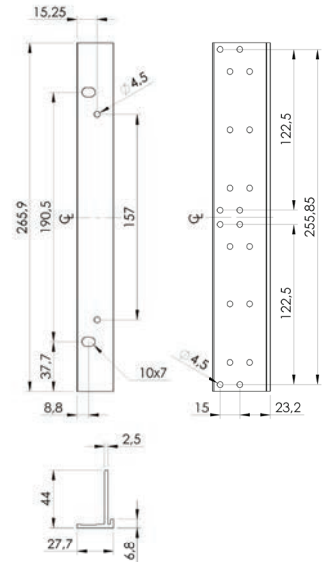
6U
 Material:
 Aluminium extrusion
 Finish:
 Passivated (conductive)

P/N: 223.501/006 01



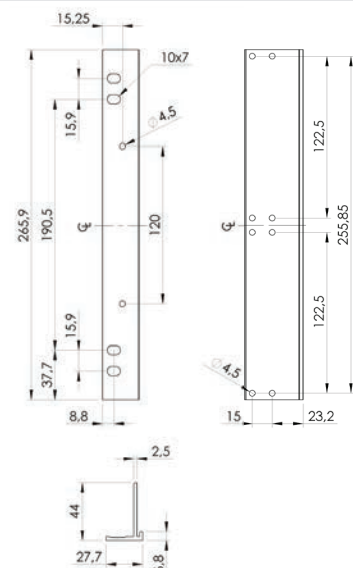
6U with handle holes
 Material:
 Aluminium extrusion
 Finish:
 Passivated (conductive)

P/N: 223.501/206 01

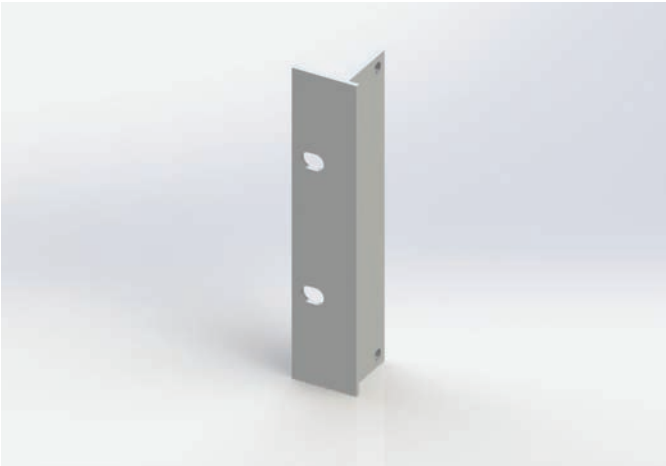


6U railway type
 Material:
 Aluminium extrusion
 Finish:
 Passivated (conductive)

P/N: 223.501/226 00



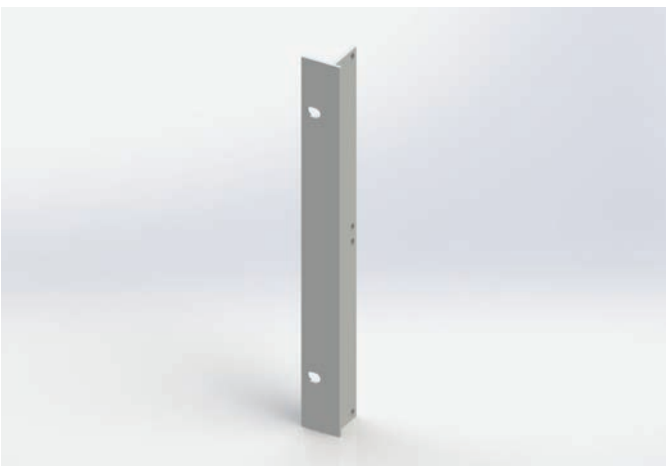
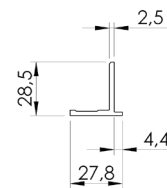
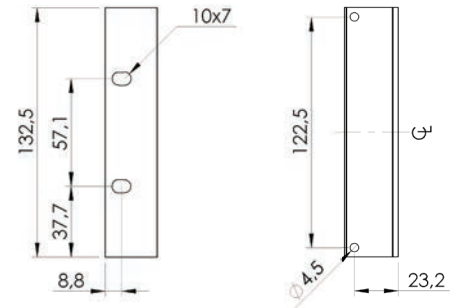
19" Lateral brackets 3U/6U Light



3U

P/N: 223.501/603 01

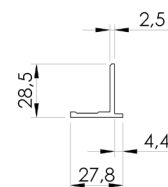
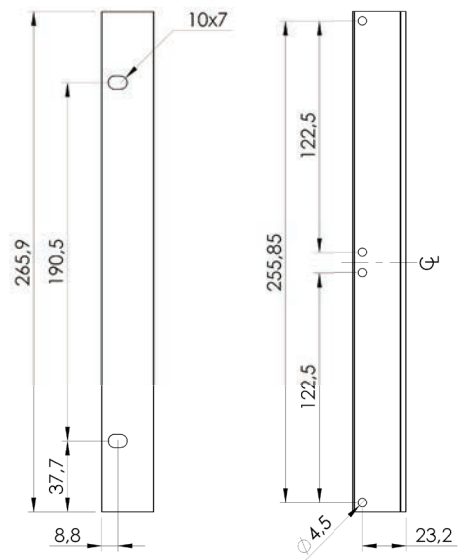
Material:
Aluminium extrusion
Finish:
Passivated (conductive)



6U

P/N: 223.501/606 01

Material:
Aluminium extrusion
Finish:
Passivated (conductive)

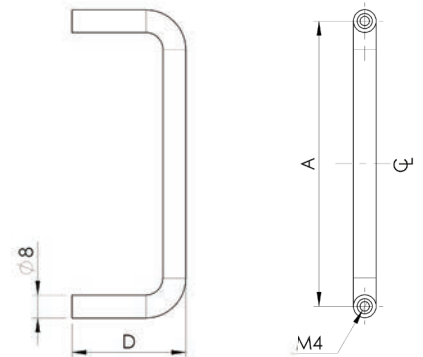


"T" and "P" series Handles



"T" series Handle

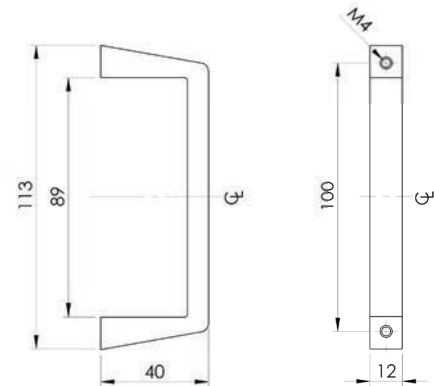
A	D	P/N	Material + Finish
100	40	235.032	Aluminium+ Anodised, natural
157	40	235.033	Aluminium+ Anodised, natural
120	32	224.000/180 00	Stainless steel
120	40	224.000/181 00	Stainless steel



"P" series Handle

Material:
Aluminium extrusion

Finish:
Anodised, natural

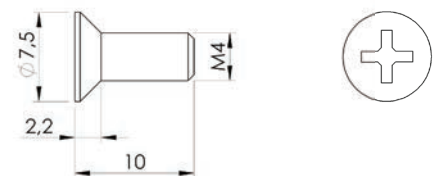


P/N: 235.017



Ph. Cross recessed
countersunk screw M4X10
for the fixing of the
handles

Material:
Stainless steel



P/N: 404.132



via Bernini, 18 - 20865 - Usmate Velate (MB) - Italy
ph. +39 039 618231 - fax +39 039 6013208
info@ompmechtron.com - www.ompmechtron.com