

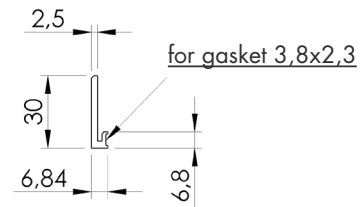
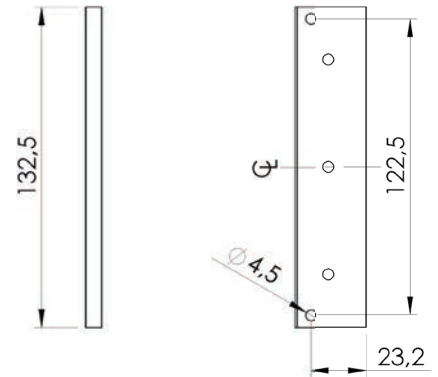
Lateral rims 3U



3U EMI

P/N: 223.501/403 01

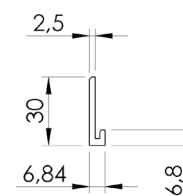
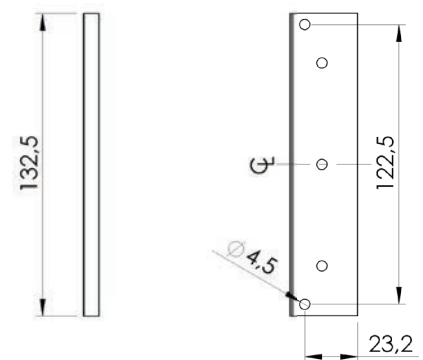
Material:
Aluminium extrusion
Finish:
Passivated (conductive)



3U

P/N: 223.501/103 01

Material:
Aluminium extrusion
Finish:
Passivated (conductive)



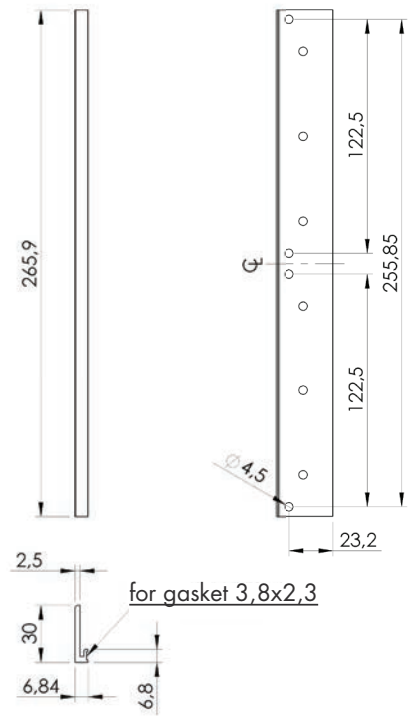
Lateral rims 6U



6U EMI

P/N: 223.501/406 01

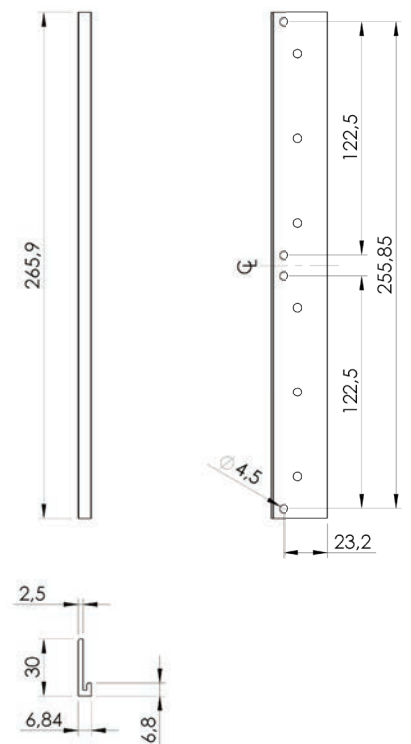
Material:
Aluminium extrusion
Finish:
Passivated (conductive)



6U

P/N: 223.501/106 01

Material:
Aluminium extrusion
Finish:
Passivated (conductive)



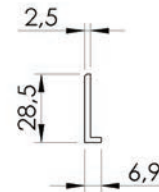
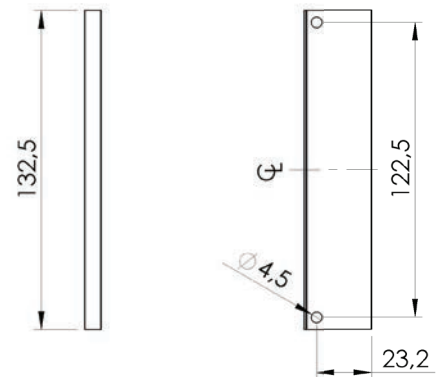
Lateral rims 3U/6U Light



3U

P/N: 223.501/803 01

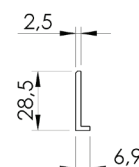
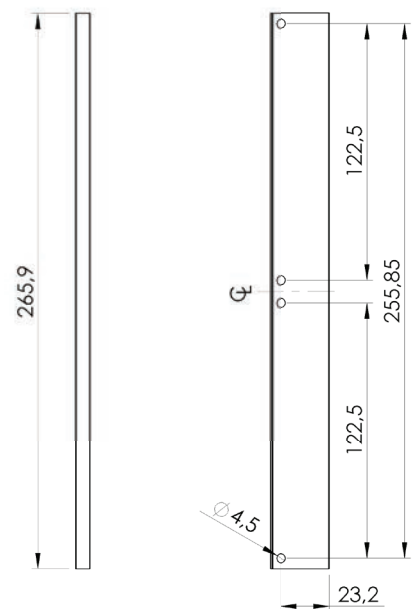
Material:
Aluminium extrusion
Finish:
Passivated (conductive)



6U

P/N: 223.501/806 01

Material:
Aluminium extrusion
Finish:
Passivated (conductive)





via Bernini, 18 - 20865 - Usmate Velate (MB) - Italy
ph. +39 039 618231 - fax +39 039 6013208
info@ompmechtron.com - www.ompmechtron.com