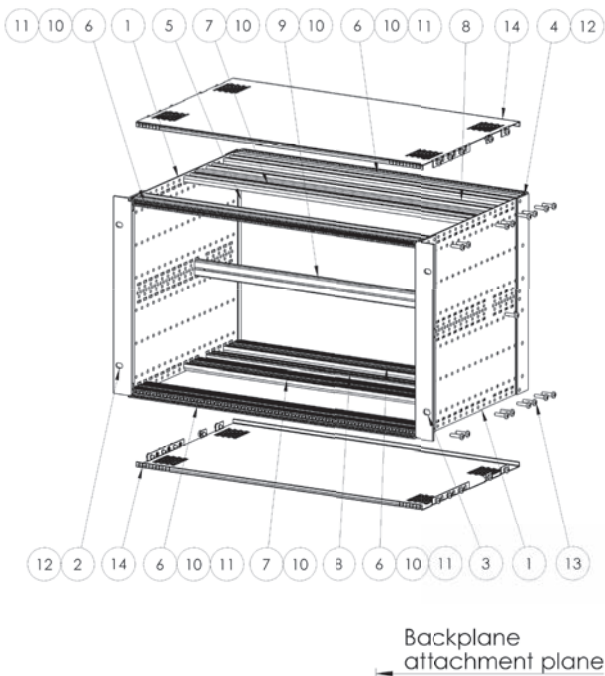
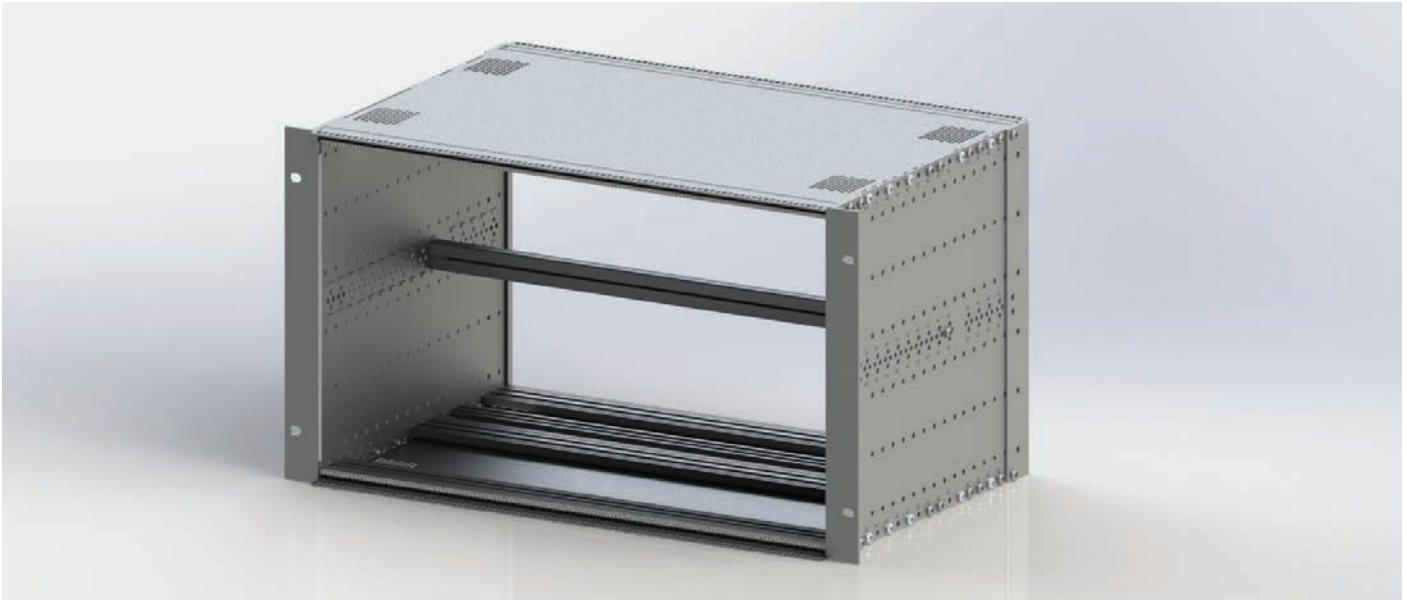
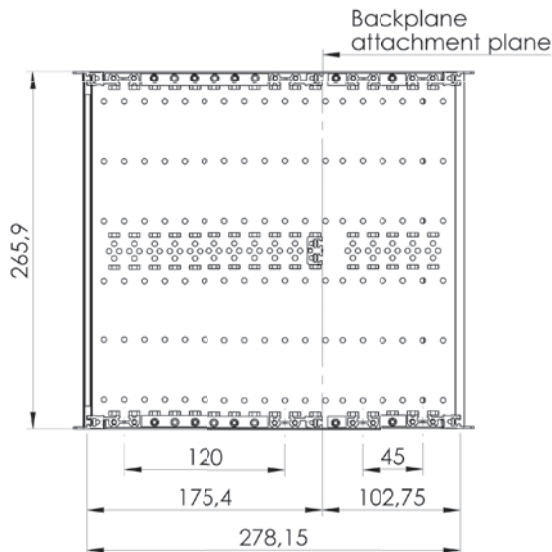


## Subrack CPCI 6U 84TE Rear I/O 160/80



B.O.M.			
Pos.	P/N	Description	Q.ty
1	120.001/126 01	Side panel 6U Rear I/O 160/80	2
2	223.501/306 01	Lateral bracket for gasket 6U	1
3	223.501/006 01	Lateral bracket 6U	1
4	223.501/406 01	Lateral rim for gasket 6U	1
5	223.501/106 01	Lateral rim 6U	1
6	221.191/085C 01	CPCI front crosspiece 85TE	4
7	221.193/085C 00	Back rear crosspiece 85TE	2
8	221.197/085C 00	Support crosspiece 85TE	2
9	221.195/085C 00	Back mezzanine crosspieces 85TE	1
10	234.013/085 00	Fastening bar M2,5 85TE	8
11	634.110/016	Contact strip crosspieces	4
12	780.000/032 00	Foam gasket 3,8x2,3	2
13	444.004	Thread forming screw M4x16	34
14	081.503/713 01	Top / Bottom cover kit Ø4 Rear I/O	2



**P/N:** 021.501/027 00

**Note:** Product is provided in assembly kit.



via Bernini, 18 - 20865 - Usmate Velate (MB) - Italy  
ph. +39 039 618231 - fax +39 039 6013208  
info@ompmechtron.com - www.ompmechtron.com