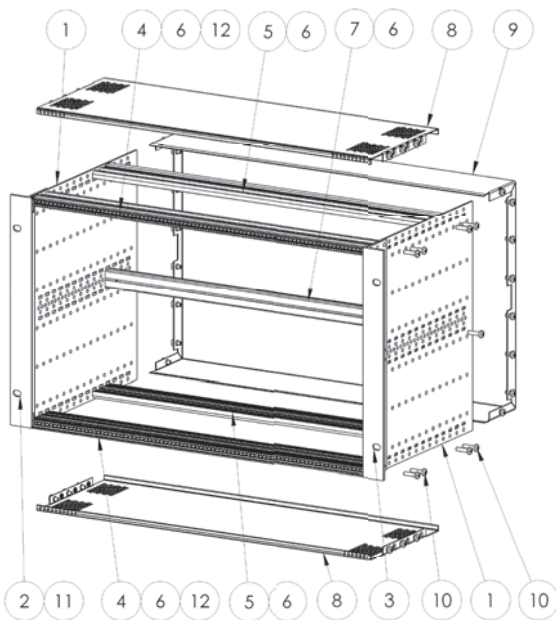
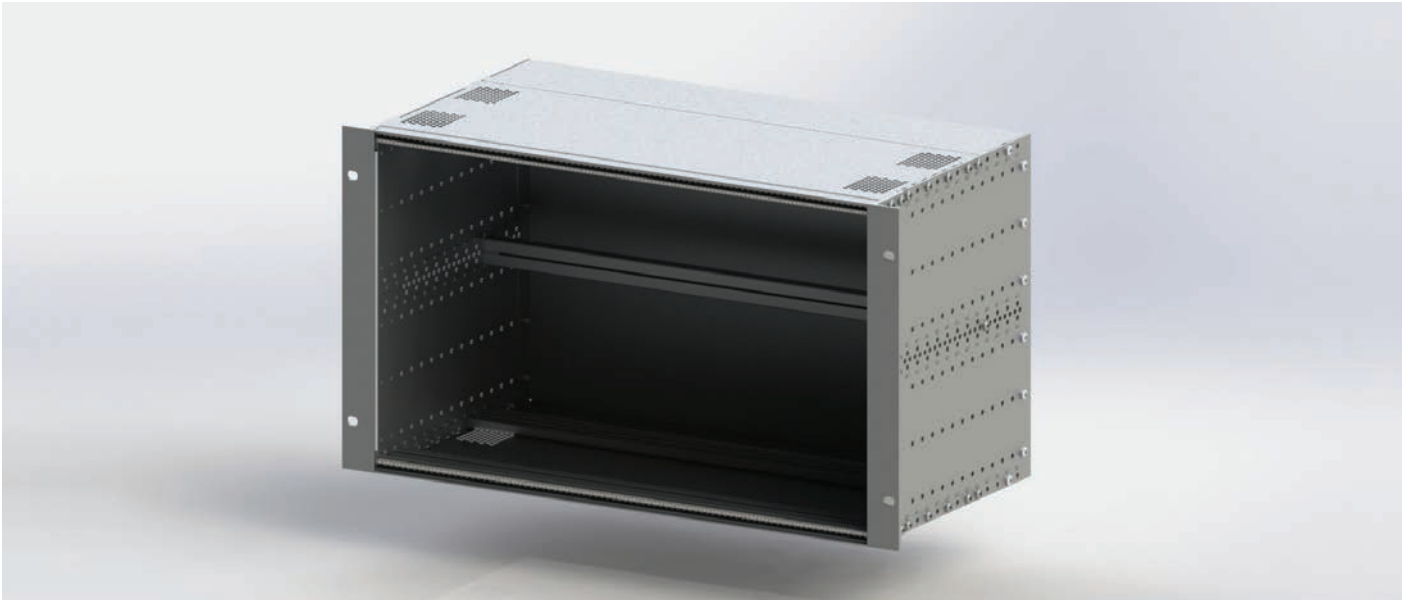


## Subrack CPCI 6U 84TE for PCB deep 160 EMI



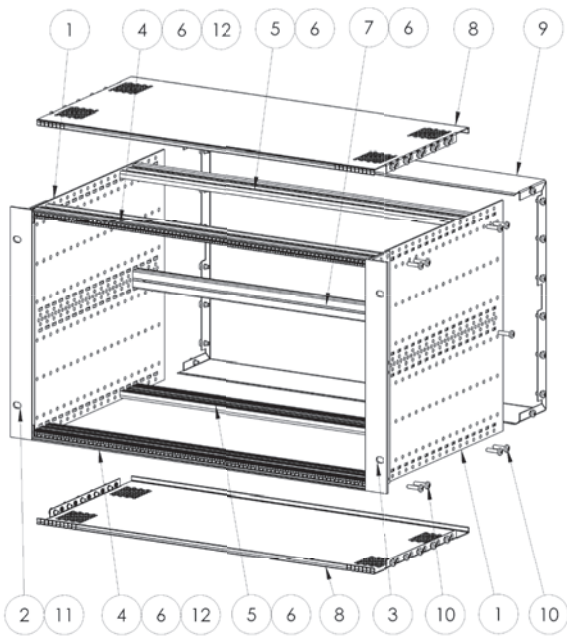
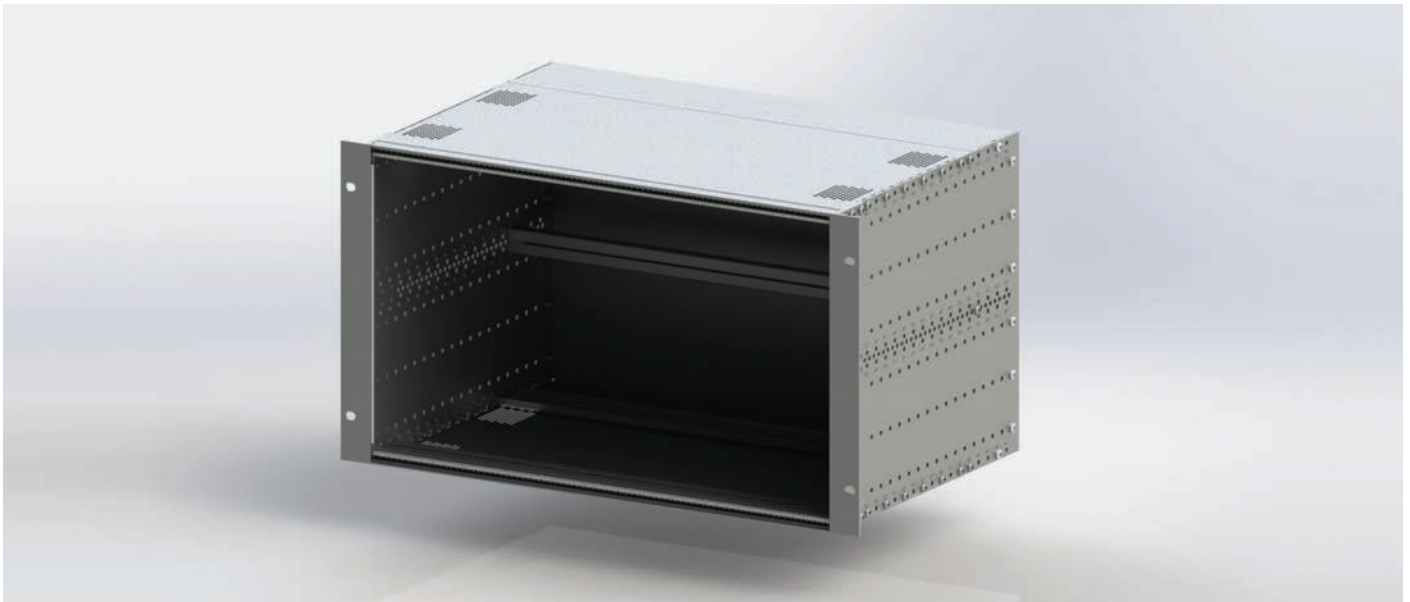
B.O.M.			
Pos.	P/N	Description	Q.ty
1	120.001/062 00	Side panel 6U	2
2	223.501/306 01	Lateral bracket for gasket 6U	1
3	223.501/006 01	Lateral bracket 6U	1
4	221.192/085C 01	STD front crosspiece 85TE	2
5	221.193/085C 00	Back rear crosspiece 85TE	2
6	234.013/085 00	Fastening bar M2,5 85TE	6
7	221.195/085C 00	Back mezzanine crosspiece 85TE	1
8	081.503/322 00	Top / Bottom cover kit Ø4	2
9	081.503/862 00	Cover side panels kit	1
10	444.004	Thread forming screw M4X16	18
11	780.000/032 00	Foam gasket 3,8x2,3	1
12	634.110/016	Contact strip crosspieces	2

**P/N:** 021.501/697 00



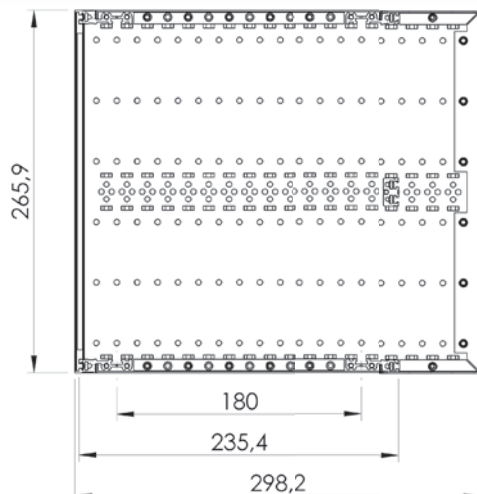
**Note:** Product is provided in assembly kit.

## Subrack CPCI 6U 84TE for PCB deep 220 EMI



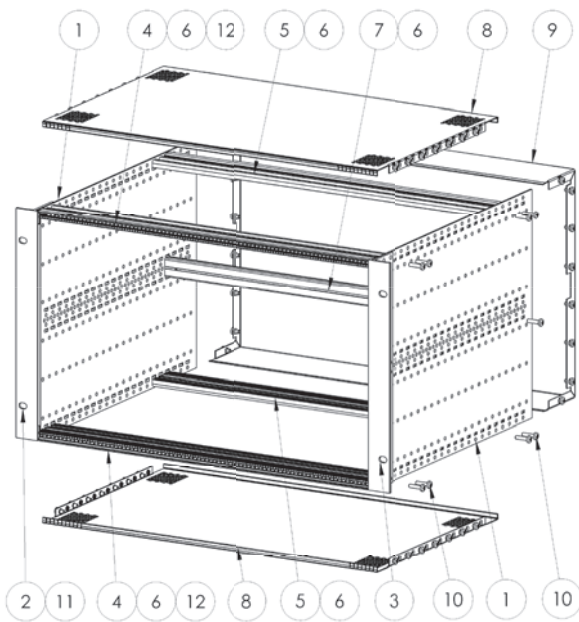
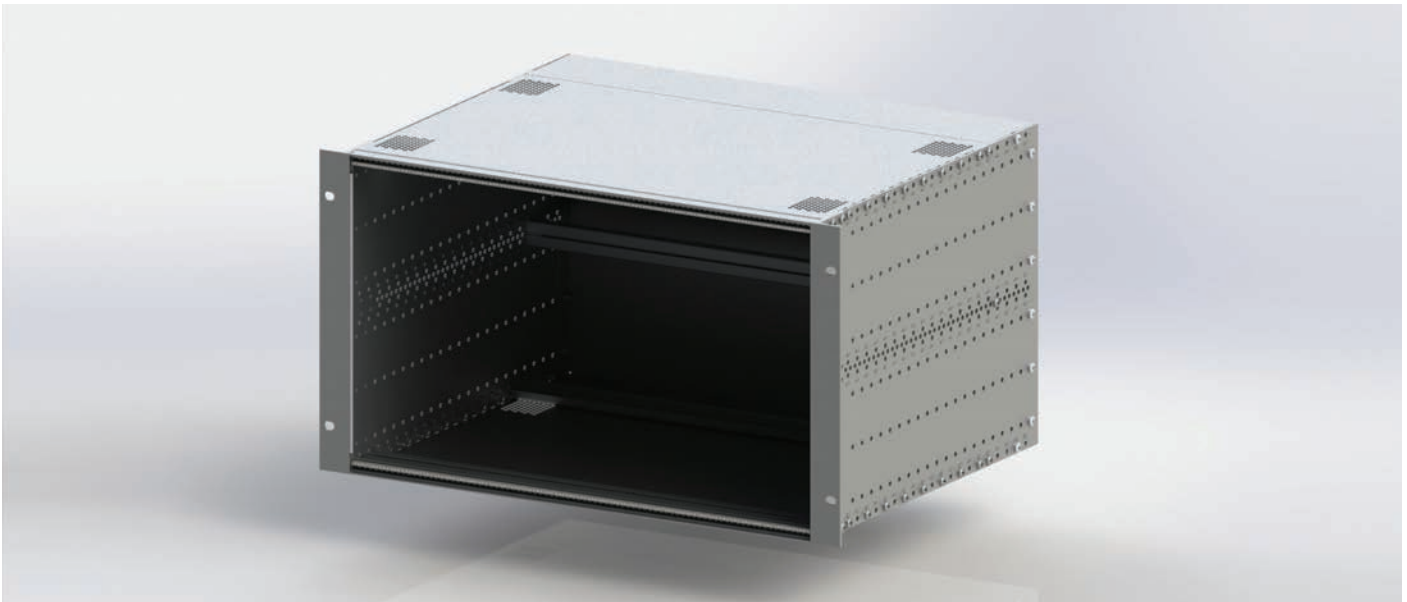
B.O.M.			
Pos.	P/N	Description	Q.ty
1	120.001/063 00	Side panel 6U	2
2	223.501/306 01	Lateral bracket for gasket 6U	1
3	223.501/006 01	Lateral bracket 6U	1
4	221.192/085C 01	STD front crosspiece 85TE	2
5	221.193/085C 00	Back rear crosspiece 85TE	2
6	234.013/085 00	Fastening bar M2,5 85TE	6
7	221.195/085C 00	Back mezzanine crosspiece 85TE	1
8	081.503/323 00	Top / Bottom cover kit Ø4	2
9	081.503/862 00	Cover side panels kit	1
10	444.004	Thread forming screw M4X16	18
11	780.000/032 00	Foam gasket 3,8x2,3	1
12	634.110/016	Contact strip crosspieces	2

**P/N: 021.501/698 00**



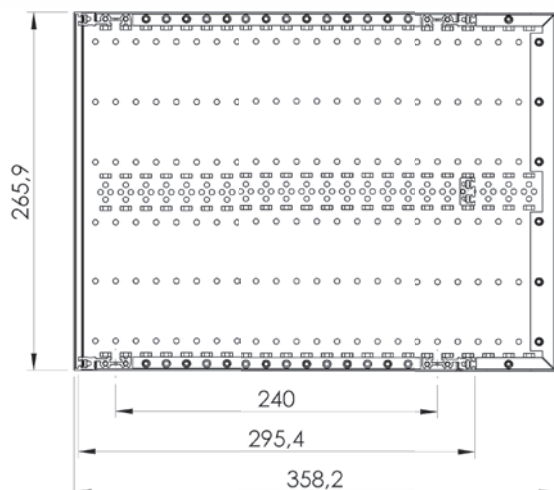
**Note:** Product is provided in assembly kit.

## Subrack CPCI 6U 84TE for PCB deep 280 EMI



B.O.M.			
Pos.	P/N	Description	Q.ty
1	120.001/064 00	Side panel 6U	2
2	223.501/306 01	Lateral bracket for gasket 6U	1
3	223.501/006 01	Lateral bracket 6U	1
4	221.192/085C 01	STD front crosspiece 85TE	2
5	221.193/085C 00	Back rear crosspiece 85TE	2
6	234.013/085 00	Fastening bar M2,5 85TE	6
7	221.195/085C 00	Back mezzanine crosspiece 85TE	1
8	081.503/324 00	Top / Bottom cover kit Ø4	2
9	081.503/862 00	Cover side panels kit	1
10	444.004	Thread forming screw M4X16	18
11	780.000/032 00	Foam gasket 3,8x2,3	1
12	634.110/016	Contact strip crosspieces	2

**P/N:** 021.501/699 00



**Note:** Product is provided in assembly kit.



via Bernini, 18 - 20865 - Usmate Velate (MB) - Italy  
ph. +39 039 618231 - fax +39 039 6013208  
info@ompmechtron.com - www.ompmechtron.com