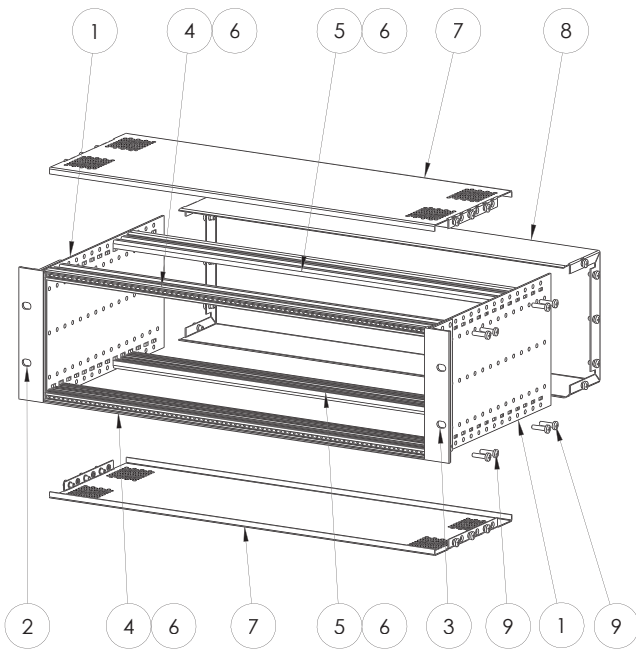
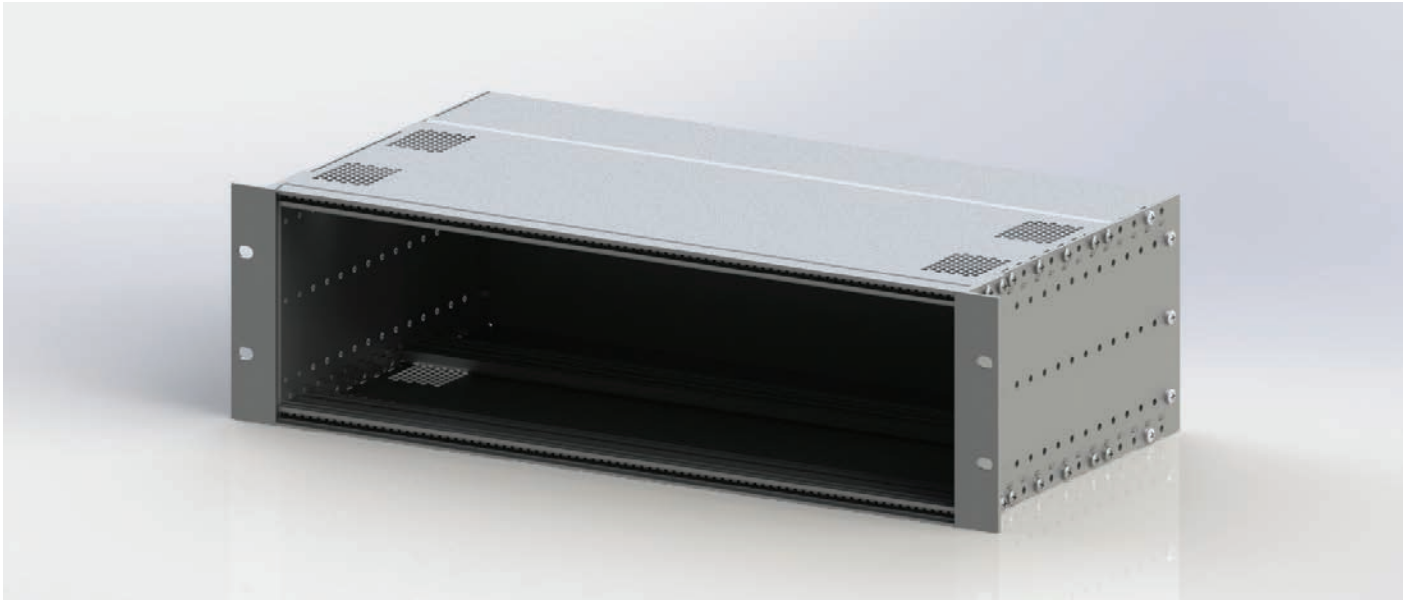
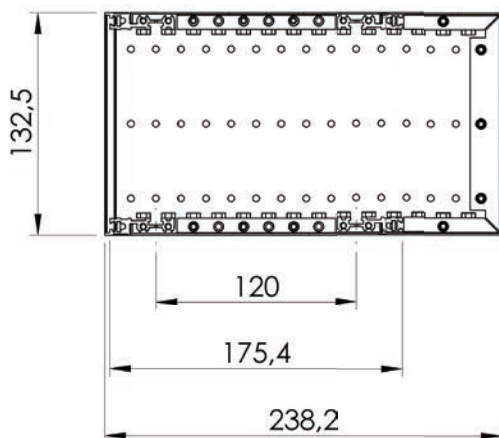


Subrack CPCI 3U 84TE for PCB deep 160



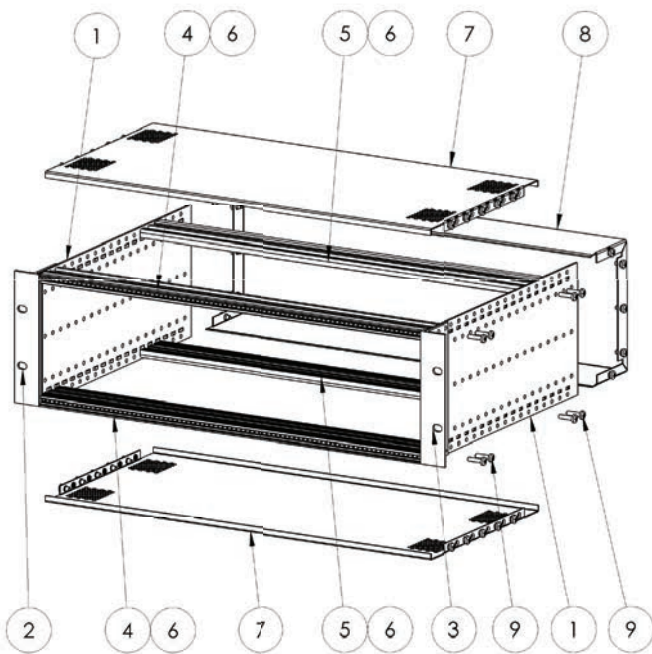
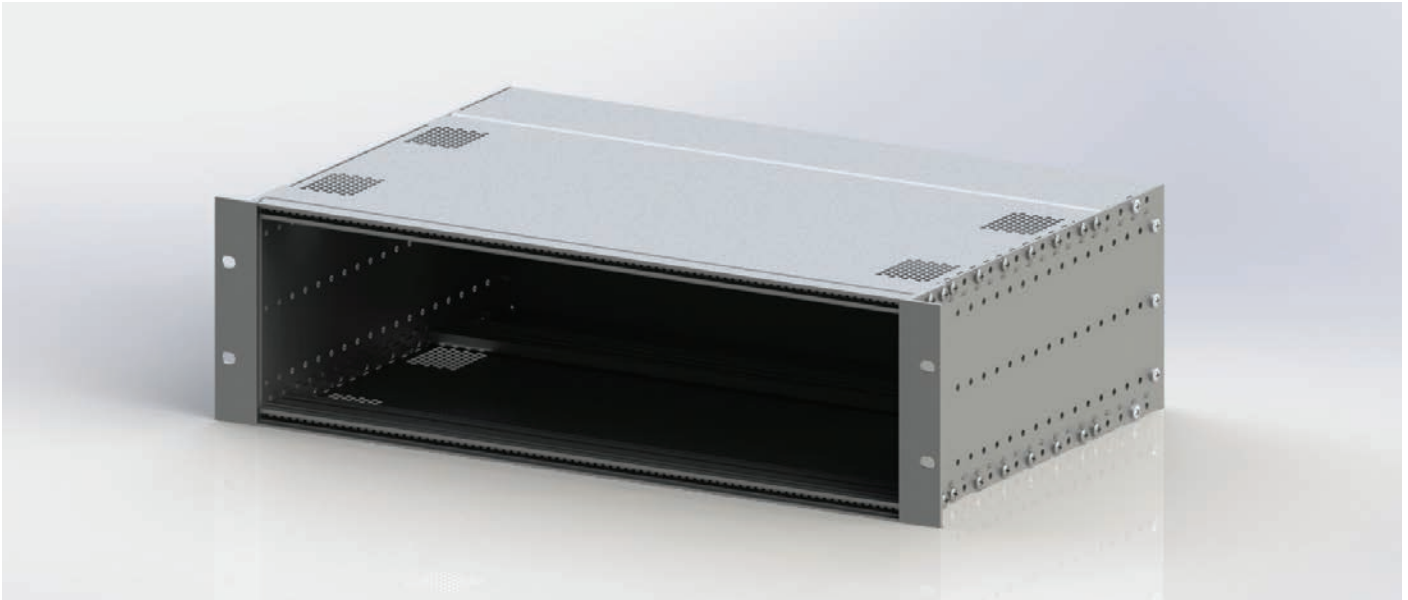
B.O.M.			
Pos.	P/N	Description	Q.ty
1	120.001/032 00	Side panel 3U	2
2	223.501/303 01	Lateral bracket for gasket 3U	1
3	223.501/003 01	Lateral bracket 3U	1
4	221.192/085C 01	STD front crosspiece 85TE	2
5	221.193/085C 00	Back rear crosspiece 85TE	2
6	234.013/085 00	Fastening bar M2,5 85TE	4
7	081.503/122 00	Top / Bottom cover kit Ø4	2
8	081.503/832 00	Cover side panels kit 3U 85TE	1
9	444.004	Thread forming screw M4X16	16

P/N: 021.502/397 00



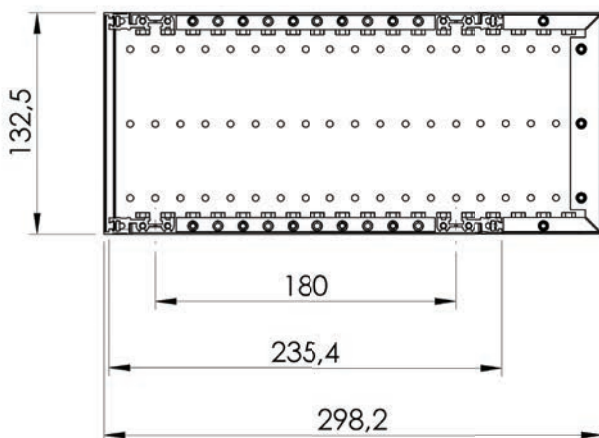
Note: Product is provided in assembly kit.

Subrack CPCI 3U 84TE for PCB deep 220



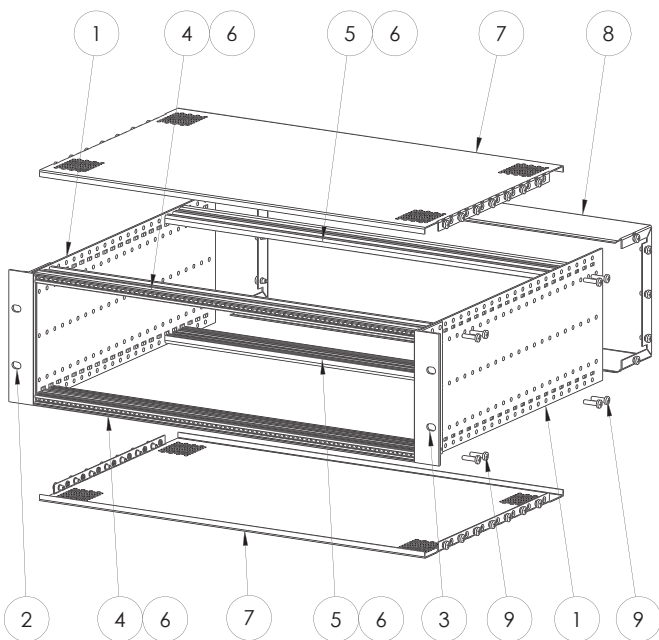
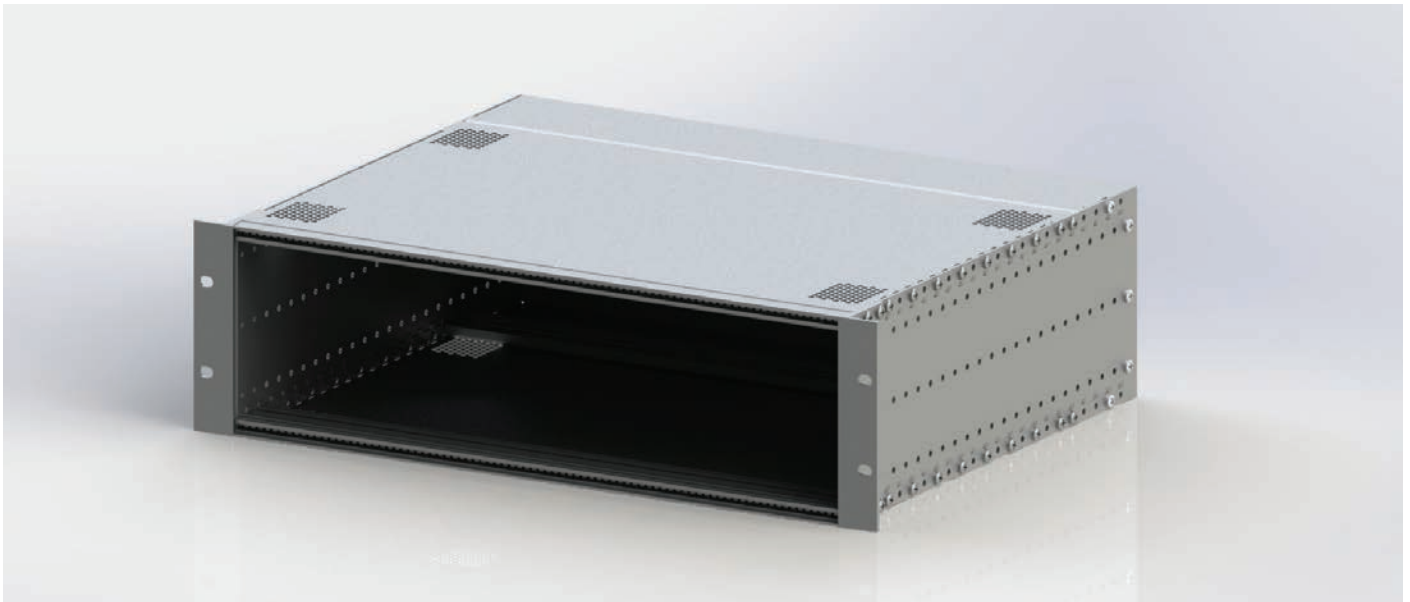
B.O.M.			
Pos.	P/N	Description	Q.ty
1	120.001/033 00	Side panel 3U	2
2	223.501/303 01	Lateral bracket for gasket 3U	1
3	223.501/003 01	Lateral bracket 3U	1
4	221.192/085C 01	STD front crosspiece 85TE	2
5	221.193/085C 00	Back rear crosspiece 85TE	2
6	234.013/085 00	Fastening bar M2,5 85TE	4
7	081.503/123 00	Top / Bottom cover kit Ø4	2
8	081.503/832 00	Cover side panels kit 3U 85TE	1
9	444.004	Thread forming screw M4X16	16

P/N: 021.502/398 00



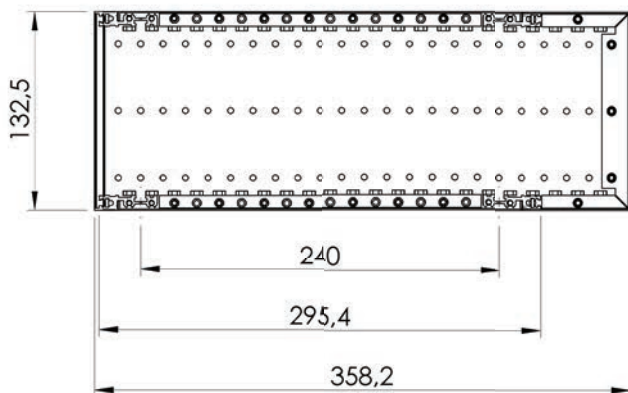
Note: Product is provided in assembly kit.

Subrack CPCI 3U 84TE for PCB deep 280



B.O.M.			
Pos.	P/N	Description	Q.ty
1	120.001/034 00	Side panel 3U	2
2	223.501/303 01	Lateral bracket for gasket 3U	1
3	223.501/003 01	Lateral bracket 3U	1
4	221.192/085C 01	STD front crosspiece 85TE	2
5	221.193/085C 00	Back rear crosspiece 85TE	2
6	234.013/085 00	Fastening bar M2,5 85TE	4
7	081.503/124 00	Top / Bottom cover kit Ø4	2
8	081.503/832 00	Cover side panels kit 3U 85TE	1
9	444.004	Thread forming screw M4X16	16

P/N: 021.502/399 00



Note: Product is provided in assembly kit.



via Bernini, 18 - 20865 - Usmate Velate (MB) - Italy
ph. +39 039 618231 - fax +39 039 6013208
info@ompmechtron.com - www.ompmechtron.com